

# SRD Series Terminals

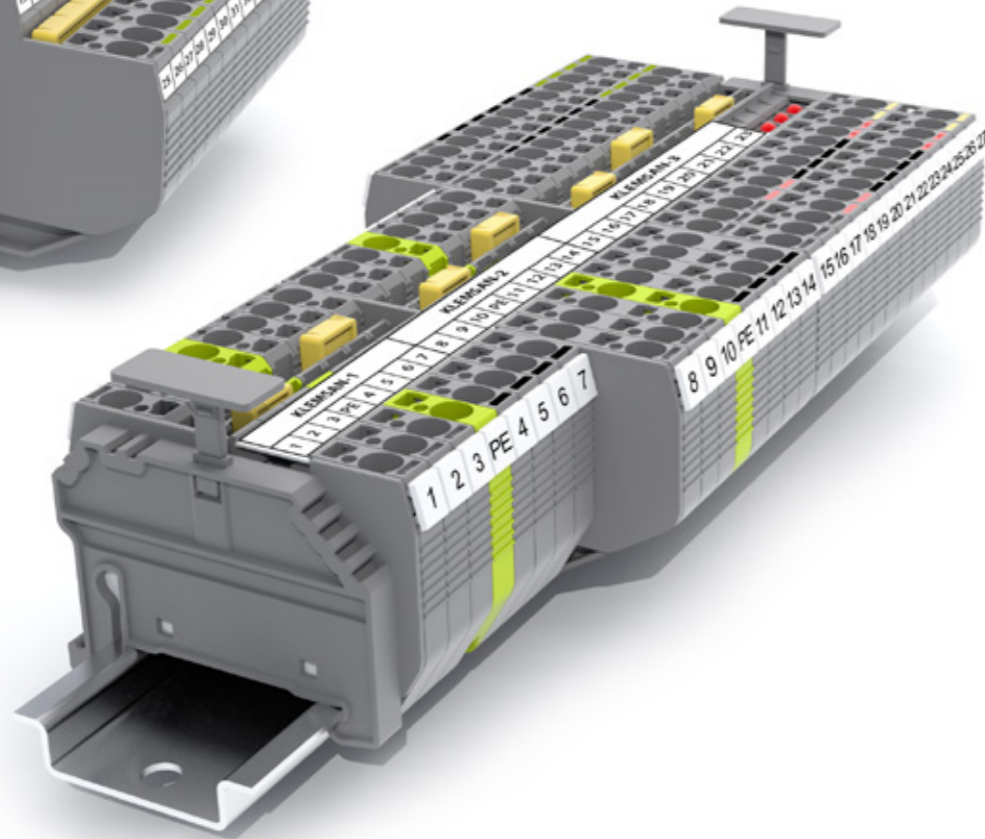
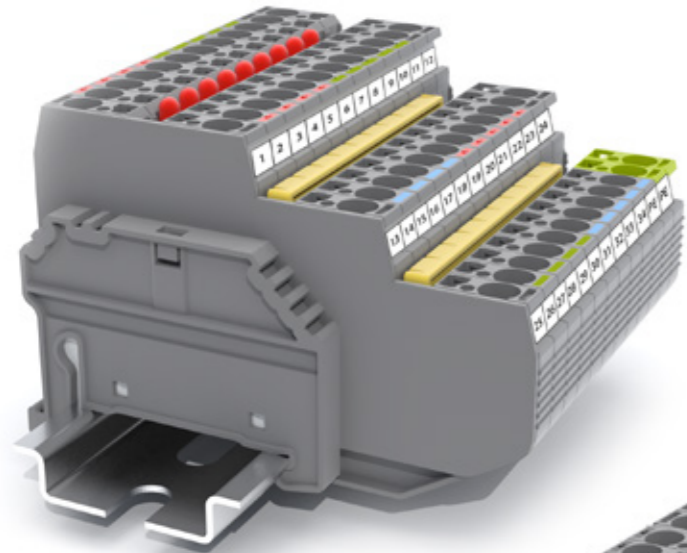
**new**

**V0**  
material

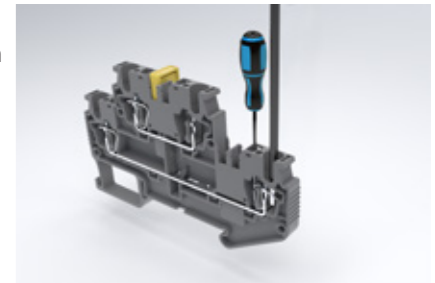
**Complying EN 45545-2 European railway standard for fire safety classes R22-R23-R24-R26 for HL1 - HL2 - HL3**

Thanks to new ergonomical design and used push-in cross connections, SRD Series have quicker and easier rail mounting advantages compared with YBK series.

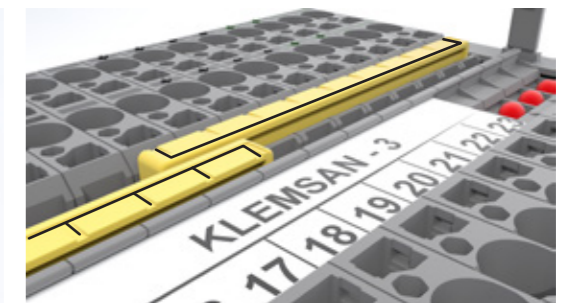
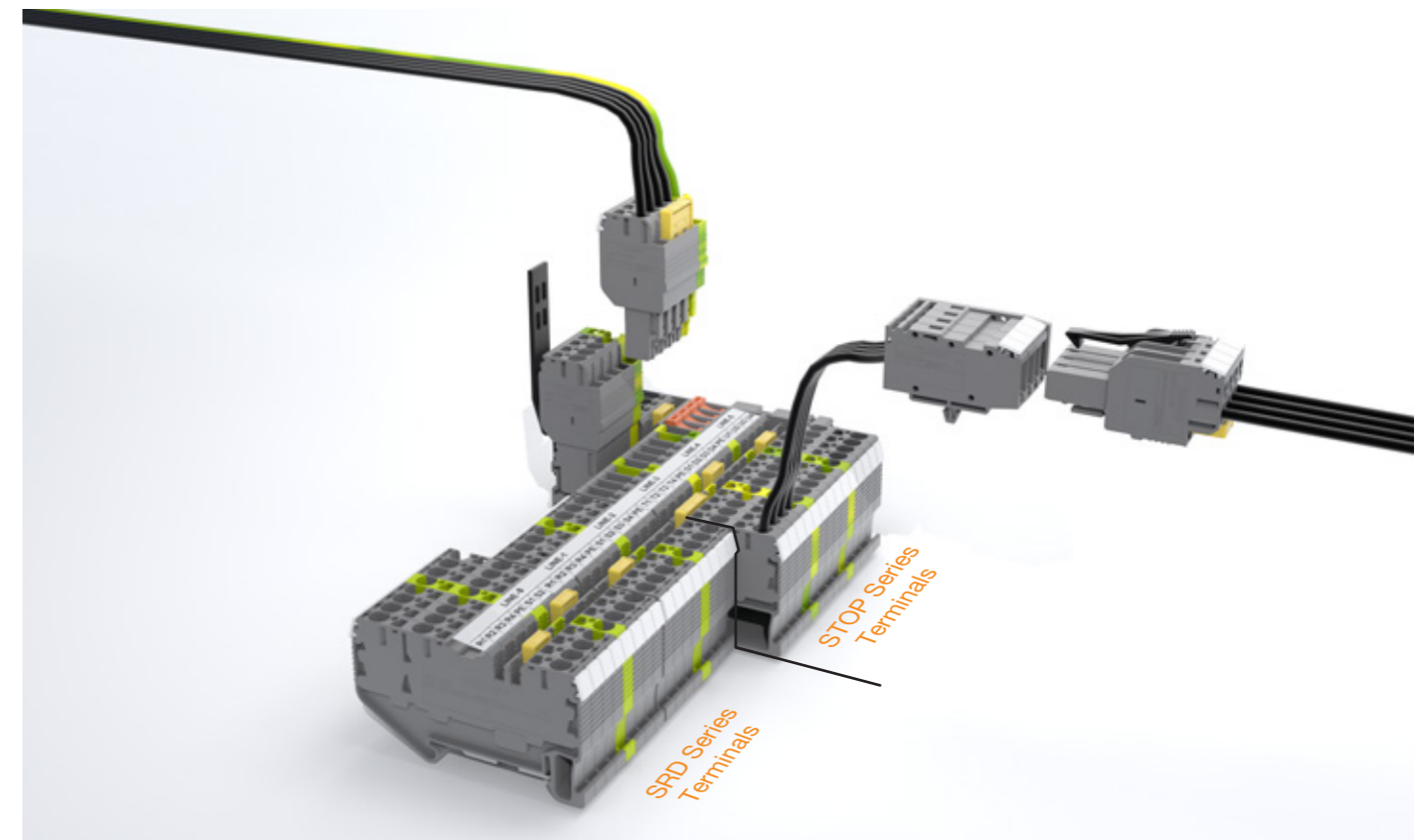
You can select special types SRD Series terminals (such as Led, Diodes... etc ) from the range for your various applications.



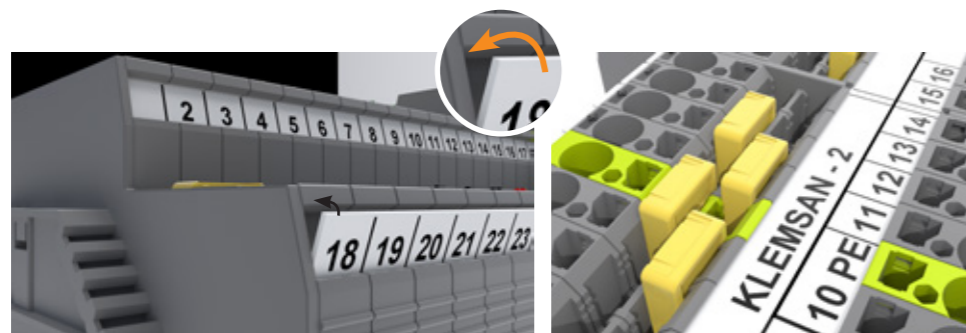
- (Green +) and (Red -) : ..V/DC and Diode Version
- (Blue) : Neutral Connections
- (Black) : Combined Connections
- (Yellow) : Combined Connections



**Wire Assembly for Terminals:**  
Wires can be assembled quickly and easily by opening the spring cage with suitable screwdriver



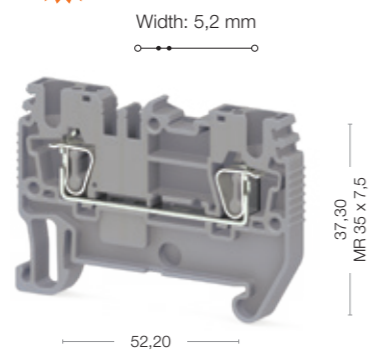
SRD Series can be marked with marking strips, printed with thermal transfer printers. Single floor terminals can be marked with 11.2 mm strip labels, and double floor terminals can be marked with 4.9 mm strip labels.



**Cross Connection:**  
Thanks to dual cross connection ability, user can make continuous cross connections. Same cross connections can be used together with STOP series even on same din rail Project. You can use permanent markers to indicate poles on cross-connectors.

# SRD 2,5

## new SRD 2,5



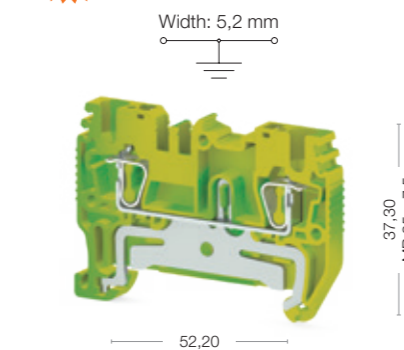
## new SRD 2,5 D-A



## new SRD 2,5 D-B



## new SRD 2,5 T



Electrical Ratings	
IEC (EN 60947-7-1/EN 60947-7-2)	
UL	
VDE (IEC 60947-7-1)	
CSA	
ATEX	

Connection Data	
Conductor cross section solid (min.-max.)	0,08 - 4 mm <sup>2</sup>
Conductor cross section stranded (min.-max.)	0,14 - 2,5 mm <sup>2</sup>
2 conductors with same cross section, stranded, TWIN ferrules with plastic sleeve	0,5 mm <sup>2</sup>
AWG Conductor	28-12
Insulation Stripping Length (min.-max.)	8-10
Screwdriver	KT1 (0,4x2,5)

Technical Data For Diode	
Diode Reverse Voltage	
Diode Current	
Diod	

End Plate	

Partition Plate	

Test Plug	

Cross Connection	

Technical Data	
Rated Impulse Voltage / Pollution severity	8/3
Insulation material group / Gauge pin code according to IEC 60947-1	1/A3
Protection class / Protection conductor type	IP20/NA
Marking Tags (Dekafix)	
See pages 326-333 for a list of Dekafix	D_NS 5,2x6, SLF-P1 W

Package Quantity	
	50

Cat No:	311 059
	311 050

Cat No:	311 069
	311 060

Electrical Ratings	
Voltage, V ~	800
Current, A	1
Cross-Section	2,5 mm <sup>2</sup>
The max. current is determined by the diode. Installed: Diode 1N 4007, reverse voltage: 1300 V, maximum continuous current: 0.5 A.	

Connection Data	
Conductor cross section solid (min.-max.)	0,08 - 4 mm <sup>2</sup>
Conductor cross section stranded (min.-max.)	0,14 - 2,5 mm <sup>2</sup>
2 conductors with same cross section, stranded, TWIN ferrules with plastic sleeve	0,5 mm <sup>2</sup>
AWG Conductor	28-12
Insulation Stripping Length (min.-max.)	8-10
Screwdriver	KT1 (0,4x2,5)

Technical Data For Diode	
Diode Reverse Voltage	1000V
Diode Current	1 A
Diod	1 N 4007

End Plate	
Type	NPP/SRD 2,5
Cat.No.	451 059
Qty.	50

Partition Plate	
Type	APP/SRD 2,5
Cat.No.	464 029
Qty.	50

Test Plug	
Type	TF Ø2
Cat.No.	493 020
Qty.	5

Cross Connection	
Type	CS 2,5/2
Cat.No.	470 102
Qty.	25
Type	CS 2,5/3
Cat.No.	470 103
Qty.	20
Type	CS 2,5/4
Cat.No.	470 104
Qty.	15
Type	CS 2,5/5
Cat.No.	470 105
Qty.	10
Type	CS 2,5/10
Cat.No.	470 109
Qty.	5
Type	CS 2,5/20
Cat.No.	470 170
Qty.	10

Technical Data	
Rated Impulse Voltage / Pollution severity	8/3
Insulation material group / Gauge pin code according to IEC 60947-1	1/A3
Protection class / Protection conductor type	IP20/NA
Marking Tags (Dekafix)	
See pages 326-333 for a list of Dekafix	D_NS 5,2x6, SLF-P1 W

Package Quantity	
	50

Cat No:	311 079
	311 070

Electrical Ratings	
Voltage, V ~	800
Current, A	1
Cross-Section	2,5 mm <sup>2</sup>
The max. current is determined by the diode. Installed: Diode 1N 4007, reverse voltage: 1300 V, maximum continuous current: 0.5 A.	

Connection Data	
Conductor cross section solid (min.-max.)	0,08 - 4 mm <sup>2</sup>
Conductor cross section stranded (min.-max.)	0,14 - 2,5 mm <sup>2</sup>
2 conductors with same cross section, stranded, TWIN ferrules with plastic sleeve	0,5 mm <sup>2</sup>
AWG Conductor	28-12
Insulation Stripping Length (min.-max.)	8-10
Screwdriver	KT1 (0,4x2,5)

Technical Data For Diode	
Diode Reverse Voltage	1000V
Diode Current	1 A
Diod	1 N 4007

End Plate	
Type	NPP/SRD 2,5
Cat.No.	451 059
Qty.	50

Partition Plate	
Type	APP/SRD 2,5
Cat.No.	464 029
Qty.	50

Test Plug	
Type	TF Ø2
Cat.No.	493 020
Qty.	5

Cross Connection	
Type	CS 2,5/2
Cat.No.	470 102
Qty.	25
Type	CS 2,5/3
Cat.No.	470 103
Qty.	20
Type	CS 2,5/4
Cat.No.	470 104
Qty.	15
Type	CS 2,5/5
Cat.No.	470 105
Qty.	10
Type	CS 2,5/10
Cat.No.	470 109
Qty.	5
Type	CS 2,5/20
Cat.No.	470 170
Qty.	10

Technical Data	
Rated Impulse Voltage / Pollution severity	8/3
Insulation material group / Gauge pin code according to IEC 60947-1	1/A3
Protection class / Protection conductor type	IP20/NA
Marking Tags (Dekafix)	
See pages 326-333 for a list of Dekafix	D_NS 5,2x6, SLF-P1 W

Package Quantity	
	50

Cat No:	337 120
---------	---------

Electrical Ratings	
Voltage, V ~	800
Current, A	1
Cross-Section	2,5 mm <sup>2</sup>
The max. current is determined by the diode. Installed: Diode 1N 4007, reverse voltage: 1300 V, maximum continuous current: 0.5 A.	

Connection Data	
Conductor cross section solid (min.-max.)	0,08 - 4 mm <sup>2</sup>
Conductor cross section stranded (min.-max.)	0,14 - 2,5 mm <sup>2</sup>
2 conductors with same cross section, stranded, TWIN ferrules with plastic sleeve	0,5 mm <sup>2</sup>
AWG Conductor	28-12
Insulation Stripping Length (min.-max.)	8-10
Screwdriver	KT1 (0,4x2,5)

Technical Data For Diode	
Diode Reverse Voltage	1000V
Diode Current	1 A
Diod	1 N 4007

End Plate	
Type	NPP/SRD 2,5
Cat.No.	451 052T
Qty.	50

Partition Plate	
Type	APP/SRD 2,5
Cat.No.	464 029
Qty.	50

Test Plug	
Type	TF Ø2
Cat.No.	493 020
Qty.	5

Cross Connection	
Type	CS 2,5/2
Cat.No.	470 102
Qty.	25
Type	CS 2,5/3
Cat.No.	470 103
Qty.	20
Type	CS 2,5/4
Cat.No.	470 104
Qty.	15
Type	CS 2,5/5
Cat.No.	470 105
Qty.	10
Type	CS 2,5/10
Cat.No.	470 109
Qty.	5
Type	CS 2,5/20
Cat.No.	470 170
Qty.	10

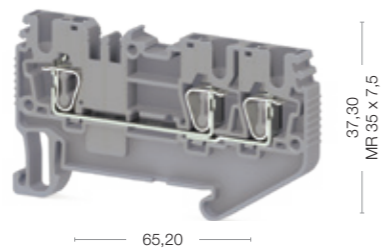
Technical Data	
Rated Impulse Voltage / Pollution severity	8/3
Insulation material group / Gauge pin code according to IEC 60947-1	1/A3
Protection class / Protection conductor type	IP20/PE
Marking Tags (Dekafix)	
See pages 326-333 for a list of Dekafix	D_NS 5,2x6, SLF-P1 W

Package Quantity	
	50

# SRD 2,5 E

# SRD 2,5 E

Width: 5,2 mm



65,20

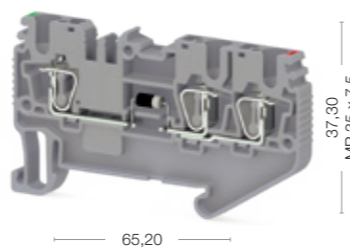
37,30  
MR 35 x 7,5

Cat No:

- 311 089
- 311 080

# SRD 2,5 ED-A

Width: 5,2 mm



65,20

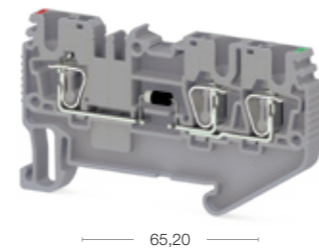
37,30  
MR 35 x 7,5

Cat No:

- 311 099
- 311 090

# SRD 2,5 ED-B

Width: 5,2 mm



65,20

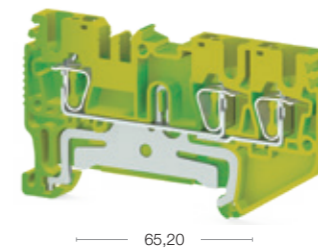
37,30  
MR 35 x 7,5

Cat No:

- 311 109
- 311 100

# SRD 2,5 ET

Width: 5,2 mm



65,20

37,30  
MR 35 x 7,5

Cat No:

- 337 130



Electrical Ratings	IEC (EN 60947-7-1/EN 60947-7-2) UL VDE (IEC 60947-7-1) CSA ATEX
Connection Data	Conductor cross section solid (min.-max.) 0,08 - 4 mm <sup>2</sup> Conductor cross section stranded (min.-max.) 0,14 - 2,5 mm <sup>2</sup> 2 conductors with same cross section, stranded, TWIN ferrules with plastic sleeve 0,5 mm <sup>2</sup> AWG Conductor 28-12 Insulation Stripping Length (min.-max.) 8-10 Screwdriver KT1 (0,4x2,5)
Technical Data For Diode	Diode Reverse Voltage Diode Current Diod
End Plate	 Type: NPP/SRD 2,5E Cat.No.: 451 159 Qty.: 50
Partition Plate	 Type: APP/SRD 2,5E Cat.No.: 464 079 Qty.: 50
Test Plug	 Type: TF Ø2 Cat.No.: 493 020 Qty.: 5
Cross Connection	 Type: CS 2,5/2, 25 CS 2,5/3, 20 CS 2,5/4, 15 CS 2,5/5, 10 CS 2,5/10, 5 CS 2,5/20, 10
Technical Data	Rated Impulse Voltage / Pollution severity 8/3 Insulation material group / Gauge pin code according to IEC 60947-1 1/A3 Protection class / Protection conductor type IP20/NA
Marking Tags (Dekafix)	See pages 326-333 for a list of Dekafix D_NS 5,2x6, SLF-P1 W
Package Quantity	50

Electrical Ratings	800 V ~ 24 A 2,5 mm <sup>2</sup>
Connection Data	0,08 - 4 mm <sup>2</sup> 0,14 - 2,5 mm <sup>2</sup> 0,5 mm <sup>2</sup> 28-12 8-10 KT1 (0,4x2,5)
Technical Data For Diode	1000V 1 A 1 N 4007
End Plate	Type: NPP/SRD 2,5E Cat.No.: 451 159 Qty.: 50
Partition Plate	Type: APP/SRD 2,5E Cat.No.: 464 079 Qty.: 50
Test Plug	Type: TF Ø2 Cat.No.: 493 020 Qty.: 5
Cross Connection	Type: CS 2,5/2, 25 CS 2,5/3, 20 CS 2,5/4, 15 CS 2,5/5, 10 CS 2,5/10, 5 CS 2,5/20, 10
Technical Data	8/3 1/A3 IP20/NA
Marking Tags (Dekafix)	D_NS 5,2x6, SLF-P1 W
Package Quantity	50

Electrical Ratings	800 V ~ 1 A 2,5 mm <sup>2</sup>	
The max. current is determined by the diode. Installed: Diode 1N 4007, reverse voltage: 1300 V, maximum continuous current: 0.5 A.		
Connection Data	0,08 - 4 mm <sup>2</sup> 0,14 - 2,5 mm <sup>2</sup> 0,5 mm <sup>2</sup> 28-12 8-10 KT1 (0,4x2,5)	
Technical Data For Diode	1000V 1 A 1 N 4007	
End Plate	Type: NPP/SRD 2,5E Cat.No.: 451 159 Qty.: 50	
Partition Plate	Type: APP/SRD 2,5E Cat.No.: 464 079 Qty.: 50	
Test Plug	Type: TF Ø2 Cat.No.: 493 020 Qty.: 5	
Cross Connection	Type: CS 2,5/2, 25 CS 2,5/3, 20 CS 2,5/4, 15 CS 2,5/5, 10 CS 2,5/10, 5 CS 2,5/20, 10	
Technical Data	8/3 1/A3 IP20/NA	
Marking Tags (Dekafix)	D_NS 5,2x6, SLF-P1 W	
Package Quantity	50	


Electrical Ratings	800 V ~ 1 A 2,5 mm <sup>2</sup>	
The max. current is determined by the diode. Installed: Diode 1N 4007, reverse voltage: 1300 V, maximum continuous current: 0.5 A.		
Connection Data	0,08 - 4 mm <sup>2</sup> 0,14 - 2,5 mm <sup>2</sup> 0,5 mm <sup>2</sup> 28-12 8-10 KT1 (0,4x2,5)	
Technical Data For Diode	1000V 1 A 1 N 4007	
End Plate	Type: NPP/SRD 2,5E Cat.No.: 451 159 Qty.: 50	
Partition Plate	Type: APP/SRD 2,5E Cat.No.: 464 079 Qty.: 50	
Test Plug	Type: TF Ø2 Cat.No.: 493 020 Qty.: 5	
Cross Connection	Type: CS 2,5/2, 25 CS 2,5/3, 20 CS 2,5/4, 15 CS 2,5/5, 10 CS 2,5/10, 5 CS 2,5/20, 10	
Technical Data	8/3 1/A3 IP20/NA	
Marking Tags (Dekafix)	D_NS 5,2x6, SLF-P1 W	
Package Quantity	50	

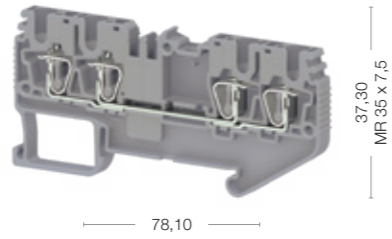
Electrical Ratings	800 V ~ 1 A 2,5 mm <sup>2</sup>	
The max. current is determined by the diode. Installed: Diode 1N 4007, reverse voltage: 1300 V, maximum continuous current: 0.5 A.		
Connection Data	0,08 - 4 mm <sup>2</sup> 0,14 - 2,5 mm <sup>2</sup> 0,5 mm <sup>2</sup> 28-12 8-10 KT1 (0,4x2,5)	
Technical Data For Diode	1000V 1 A 1 N 4007	
End Plate	Type: NPP/SRD 2,5E Cat.No.: 451 159 Qty.: 50	
Partition Plate	Type: APP/SRD 2,5E Cat.No.: 464 079 Qty.: 50	
Test Plug	Type: TF Ø2 Cat.No.: 493 020 Qty.: 5	
Cross Connection	Type: CS 2,5/2, 25 CS 2,5/3, 20 CS 2,5/4, 15 CS 2,5/5, 10 CS 2,5/10, 5 CS 2,5/20, 10	
Technical Data	8/3 1/A3 IP20/NA	
Marking Tags (Dekafix)	D_NS 5,2x6, SLF-P1 W	
Package Quantity	50	

Electrical Ratings	800 V ~ 1 A 2,5 mm <sup>2</sup>	
The max. current is determined by the diode. Installed: Diode 1N 4007, reverse voltage: 1300 V, maximum continuous current: 0.5 A.		
Connection Data	0,08 - 4 mm <sup>2</sup> 0,14 - 2,5 mm <sup>2</sup> 0,5 mm <sup>2</sup> 28-12 8-10 KT1 (0,4x2,5)	
Technical Data For Diode	1000V 1 A 1 N 4007	
End Plate	Type: NPP/SRD 2,5E Cat.No.: 451 152T Qty.: 50	
Partition Plate	Type: APP/SRD 2,5E Cat.No.: 464 079 Qty.: 50	
Test Plug	Type: TF Ø2 Cat.No.: 493 020 Qty.: 5	
Cross Connection	Type: CS 2,5/2, 25 CS 2,5/3, 20 CS 2,5/4, 15 CS 2,5/5, 10 CS 2,5/10, 5 CS 2,5/20, 10	
Technical Data	8/3 1/A3 IP20/PE	
Marking Tags (Dekafix)	D_NS 5,2x6, SLF-P1 W	
Package Quantity	50	

# SRD 2,5 C

## **new** SRD 2,5 C

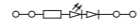
Width: 5,2 mm  


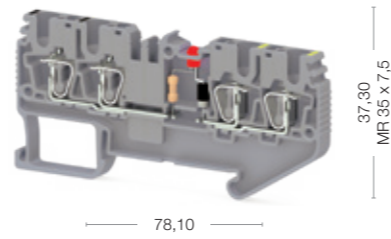


Cat No:

- 311 119
- 311 110

## **new** SRD 2,5 CLD-24VAC


Width: 5,2 mm  


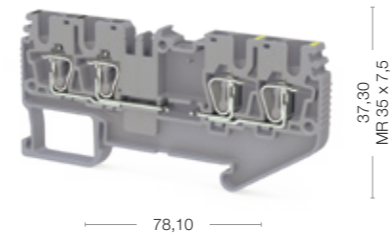


Cat No:

- 311 169
- 311 160

## **new** SRD 2,5 Cx2


Width: 5,2 mm  


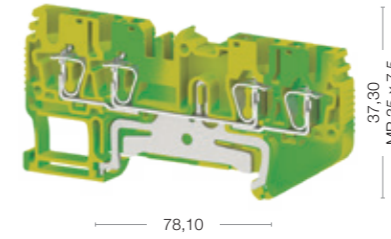


Cat No:

- 311 149
- 311 140

## **new** SRD 2,5 CT

Width: 5,2 mm  




Cat No:

- 337 140



Electrical Ratings
IEC (EN 60947-7-1/EN 60947-7-2)
UL
VDE (IEC 60947-7-1)
CSA
ATEX

Connection Data	
Conductor cross section solid (min.-max.)	0,08 - 4 mm <sup>2</sup>
Conductor cross section stranded (min.-max.)	0,14 - 2,5 mm <sup>2</sup>
2 conductors with same cross section, stranded, TWIN ferrules with plastic sleeve	0,5 mm <sup>2</sup>
AWG Conductor	28-12
Insulation Stripping Length (min.-max.)	8-10
Screwdriver	KT1 (0,4x2,5)

Technical Data For Diode	
Diode Reverse Voltage	1000V
Diode Current	1 A
Diode	1 N 4007

End Plate	Type	Cat.No.	Qty.
	NPP/SRD 2,5C	451 189	50

Partition Plate	Type	Cat.No.	Qty.
	APP/SRD 2,5C	464 119	50

Test Plug	Type	Cat.No.	Qty.
	TF Ø2	493 020	5

Cross Connection	Type	Cat.No.	Qty.
	CS 2,5/2	470 102	25
	CS 2,5/3	470 103	20
	CS 2,5/4	470 104	15
	CS 2,5/5	470 105	10
	CS 2,5/10	470 109	5
	CS 2,5/20	470 170	10

Technical Data	
Rated Impulse Voltage / Pollution severity	8/3
Insulation material group / Gauge pin code according to IEC 60947-1	1/A3
Protection class / Protection conductor type	IP20/NA
<b>Marking Tags (Dekafix)</b>	
See pages 326-333 for a list of Dekafix	D_NS 5,2x6, SLF-P1 W

Package Quantity
50

Voltage, V ~	Current, A	Cross-Section
800	24	2,5 mm <sup>2</sup>

Voltage, V ~	Current, A	Cross-Section
24	24	2,5 mm <sup>2</sup>

Voltage, V ~	Current, A	Cross-Section
500	24	2,5 mm <sup>2</sup>

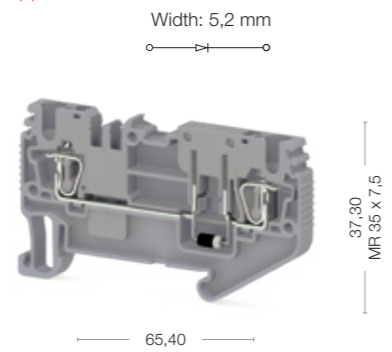
Voltage, V ~	Current, A	Cross-Section
500	24	2,5 mm <sup>2</sup>

Voltage, V ~	Current, A	Cross-Section

SRD 2,5 CLD-..... Ordering Data		
24VDC	Gray	311 159
	Beige	311 150
48VAC	Gray	311 189
	Beige	311 180
48VDC	Gray	311 179
	Beige	311 170
110VAC	Gray	311 209
	Beige	311 200
110VDC	Gray	311 199
	Beige	311 190
220VAC	Gray	311 229
	Beige	311 220
220VDC	Gray	311 219
	Beige	311 210

# SRD 2,5 A

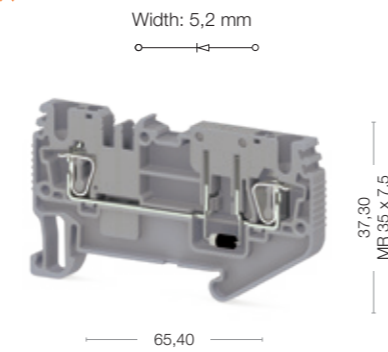
## new SRD 2,5 AD-A



Cat No:

- 311 249
- 311 240

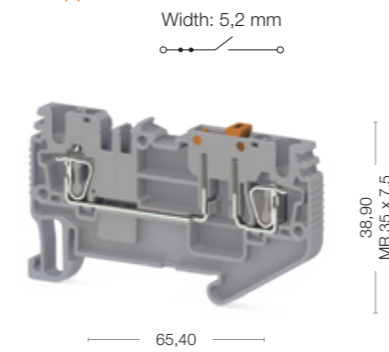
## new SRD 2,5 AD-B



Cat No:

- 311 259
- 311 250

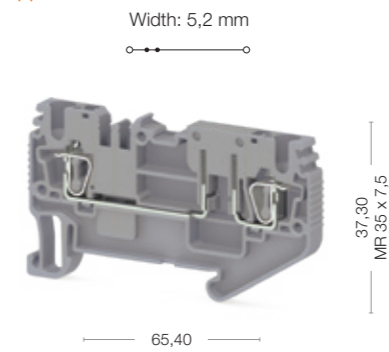
## new SRD 2,5 A



Cat No:

- 311 239
- 311 230

## new SRD 2,5 AK



Cat No:

- 311 269
- 311 260



Electrical Ratings	Voltage, V ~	Current, A	Cross-Section
IEC (EN 60947-7-1/EN 60947-7-2)	500	1	2,5 mm <sup>2</sup>
UL	The max. current is determined by the diode.		
VDE (IEC 60947-7-1)	Installed: Diode 1N 4007, reverse voltage: 1300 V, maximum continuous current: 0.5 A.		
CSA			
ATEX			

Connection Data	Conductor cross section solid (min.-max.)	Conductor cross section stranded (min.-max.)	2 conductors with same cross section, stranded, TWIN ferrules with plastic sleeve	AWG Conductor	Insulation Stripping Length (min.-max.)	Screwdriver
	0,08 - 4 mm <sup>2</sup>	0,14 - 2,5 mm <sup>2</sup>		28-12	8-10	KT1 (0,4x2,5)


  

Technical Data For Diode	Diode Reverse Voltage	Diode Current	Diode
	1000V	1 A	1 N 4007


  

End Plate	Type	Cat.No.	Qty.
	NPP/SRD 2,5E	451 159	50


  

Partition Plate	Type	Cat.No.	Qty.
	APP/SRD 2,5E	464 079	50

Test Plug	Type	Cat.No.	Qty.
	TF Ø2	493 020	5

Cross Connection	Type	Cat.No.	Qty.
	CS 2,5/2	470 102	25
	CS 2,5/3	470 103	20
	CS 2,5/4	470 104	15
	CS 2,5/5	470 105	10
	CS 2,5/10	470 109	5
	CS 2,5/20	470 170	10

Technical Data	Rated Impulse Voltage / Pollution severity	Insulation material group / Gauge pin code according to IEC 60947-1	Protection class / Protection conductor type
	8/3	1/A3	IP20/NA

Marking Tags (Dekafix)	See pages 326-333 for a list of Dekafix
	D_NS 5,2x6, SLF-P1 W

Package Quantity	
	50

Electrical Ratings	Voltage, V ~	Current, A	Cross-Section
IEC (EN 60947-7-1/EN 60947-7-2)	500	1	2,5 mm <sup>2</sup>
UL	The max. current is determined by the diode.		
VDE (IEC 60947-7-1)	Installed: Diode 1N 4007, reverse voltage: 1300 V, maximum continuous current: 0.5 A.		
CSA			
ATEX			

Connection Data	Conductor cross section solid (min.-max.)	Conductor cross section stranded (min.-max.)	2 conductors with same cross section, stranded, TWIN ferrules with plastic sleeve	AWG Conductor	Insulation Stripping Length (min.-max.)	Screwdriver
	0,08 - 4 mm <sup>2</sup>	0,14 - 2,5 mm <sup>2</sup>		28-12	8-10	KT1 (0,4x2,5)

Technical Data For Diode	Diode Reverse Voltage	Diode Current	Diode
	1000V	1 A	1 N 4007

End Plate	Type	Cat.No.	Qty.
	NPP/SRD 2,5E	451 159	50

Partition Plate	Type	Cat.No.	Qty.
	APP/SRD 2,5E	464 079	50

Test Plug	Type	Cat.No.	Qty.
	TF Ø2	493 020	5

Cross Connection	Type	Cat.No.	Qty.
	CS 2,5/2	470 102	25
	CS 2,5/3	470 103	20
	CS 2,5/4	470 104	15
	CS 2,5/5	470 105	10
	CS 2,5/10	470 109	5
	CS 2,5/20	470 170	10

Technical Data	Rated Impulse Voltage / Pollution severity	Insulation material group / Gauge pin code according to IEC 60947-1	Protection class / Protection conductor type
	8/3	1/A3	IP20/NA

Marking Tags (Dekafix)	See pages 326-333 for a list of Dekafix
	D_NS 5,2x6, SLF-P1 W

Package Quantity	
	50

Electrical Ratings	Voltage, V ~	Current, A	Cross-Section
IEC (EN 60947-7-1/EN 60947-7-2)	500	20	2,5 mm <sup>2</sup>
UL			
VDE (IEC 60947-7-1)			
CSA			
ATEX			

Connection Data	Conductor cross section solid (min.-max.)	Conductor cross section stranded (min.-max.)	2 conductors with same cross section, stranded, TWIN ferrules with plastic sleeve	AWG Conductor	Insulation Stripping Length (min.-max.)	Screwdriver
	0,08 - 4 mm <sup>2</sup>	0,14 - 2,5 mm <sup>2</sup>		28-12	8-10	KT1 (0,4x2,5)

Technical Data For Diode	Diode Reverse Voltage	Diode Current	Diode
	1000V	1 A	1 N 4007

End Plate	Type	Cat.No.	Qty.
	NPP/SRD 2,5E	451 159	50

Partition Plate	Type	Cat.No.	Qty.
	APP/SRD 2,5E	464 079	50

Test Plug	Type	Cat.No.	Qty.
	TF Ø2	493 020	5

Cross Connection	Type	Cat.No.	Qty.
	CS 2,5/2	470 102	25
	CS 2,5/3	470 103	20
	CS 2,5/4	470 104	15
	CS 2,5/5	470 105	10
	CS 2,5/10	470 109	5
	CS 2,5/20	470 170	10

Technical Data	Rated Impulse Voltage / Pollution severity	Insulation material group / Gauge pin code according to IEC 60947-1	Protection class / Protection conductor type
	8/3	1/A3	IP20/NA

Marking Tags (Dekafix)	See pages 326-333 for a list of Dekafix
	D_NS 5,2x6, SLF-P1 W

Package Quantity	
	50

Electrical Ratings	Voltage, V ~	Current, A	Cross-Section
IEC (EN 60947-7-1/EN 60947-7-2)	500	24	2,5 mm <sup>2</sup>
UL			
VDE (IEC 60947-7-1)			
CSA			
ATEX			

Connection Data	Conductor cross section solid (min.-max.)	Conductor cross section stranded (min.-max.)	2 conductors with same cross section, stranded, TWIN ferrules with plastic sleeve	AWG Conductor	Insulation Stripping Length (min.-max.)	Screwdriver
	0,08 - 4 mm <sup>2</sup>	0,14 - 2,5 mm <sup>2</sup>		28-12	8-10	KT1 (0,4x2,5)

Technical Data For Diode	Diode Reverse Voltage	Diode Current	Diode
	1000V	1 A	1 N 4007

End Plate	Type	Cat.No.	Qty.
	NPP/SRD 2,5E	451 159	50

Partition Plate	Type	Cat.No.	Qty.
	APP/SRD 2,5E	464 079	50

Test Plug	Type	Cat.No.	Qty.
	TF Ø2	493 020	5

Cross Connection	Type	Cat.No.	Qty.
	CS 2,5/2	470 102	25
	CS 2,5/3	470 103	20
	CS 2,5/4	470 104	15
	CS 2,5/5	470 105	10
	CS 2,5/10	470 109	5
	CS 2,5/20	470 170	10

Technical Data	Rated Impulse Voltage / Pollution severity	Insulation material group / Gauge pin code according to IEC 60947-1	Protection class / Protection conductor type
	8/3	1/A3	IP20/NA

Marking Tags (Dekafix)	See pages 326-333 for a list of Dekafix
	D_NS 5,2x6, SLF-P1 W

Package Quantity	
	50

Electrical Ratings	Voltage, V ~	Current, A	Cross-Section
IEC (EN 60947-7-1/EN 60947-7-2)	500	24	2,5 mm <sup>2</sup>
UL			
VDE (IEC 60947-7-1)			
CSA			
ATEX			

Connection Data	Conductor cross section solid (min.-max.)	Conductor cross section stranded (min.-max.)	2 conductors with same cross section, stranded, TWIN ferrules with plastic sleeve	AWG Conductor	Insulation Stripping Length (min.-max.)	Screwdriver
	0,08 - 4 mm <sup>2</sup>	0,14 - 2,5 mm <sup>2</sup>		28-12	8-10	KT1 (0,4x2,5)

Technical Data For Diode	Diode Reverse Voltage	Diode Current	Diode
	1000V	1 A	1 N 4007

End Plate	Type	Cat.No.	Qty.
	NPP/SRD 2,5E	451 159	50

Partition Plate	Type	Cat.No.	Qty.
	APP/SRD 2,5E	464 079	50

Test Plug	Type	Cat.No.	Qty.
	TF Ø2	493 020	5

Cross Connection	Type	Cat.No.	Qty.
	CS 2,5/2	470 102	25
	CS 2,5/3	470 103	20
	CS 2,5/4	470 104	15
	CS 2,5/5	470 105	10
	CS 2,5/10	470 109	5
	CS 2,5/20	470 170	10

Technical Data	Rated Impulse Voltage / Pollution severity	Insulation material group / Gauge pin code according to IEC 60947-1	Protection class / Protection conductor type
	8/3	1/A3	IP20/NA

Marking Tags (Dekafix)	See pages 326-333 for a list of Dekafix
	D_NS 5,2x6, SLF-P1 W

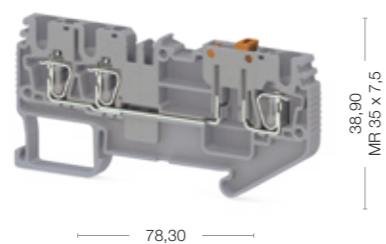
  

Package Quantity	
	50

# SRD 2,5 EA

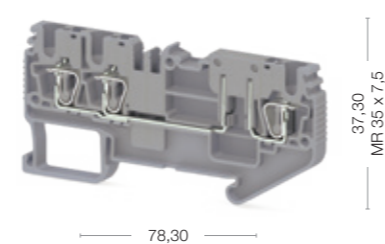
## **new** SRD 2,5 EA

Width: 5,2 mm



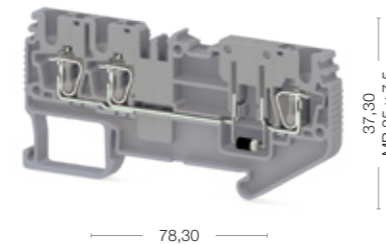
## **new** SRD 2,5 EAK

Width: 5,2 mm



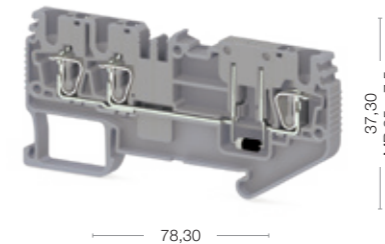
## **new** SRD 2,5 EAD-A

Width: 5,2 mm



## **new** SRD 2,5 EAD-B

Width: 5,2 mm



Cat No:

- 311 279
- 311 270

Cat No:

- 311 309
- 311 300

Cat No:

- 311 289
- 311 280

Cat No:

- 311 299
- 311 290

Electrical Ratings
IEC (EN 60947-7-1/EN 60947-7-2)
UL
VDE (IEC 60947-7-1)
CSA
ATEX

Connection Data	
Conductor cross section solid (min.-max.)	0,08 - 4 mm <sup>2</sup>
Conductor cross section stranded (min.-max.)	0,14 - 2,5 mm <sup>2</sup>
2 conductors with same cross section, stranded, TWIN ferrules with plastic sleeve	0,5 mm <sup>2</sup>
AWG Conductor	28-12
Insulation Stripping Length (min.-max.)	8-10
Screwdriver	KT1 (0,4x2,5)

Technical Data For Diode	
Diode Reverse Voltage	
Diode Current	
Diod	

End Plate	Type	Cat.No.	Qty.
	NPP/SRD 2,5C	451 189	50

Partition Plate	Type	Cat.No.	Qty.
	APP/SRD 2,5C	464 119	50

Test Plug	Type	Cat.No.	Qty.
	TF Ø2	493 020	5

Cross Connection	Type	Cat.No.	Qty.
	CS 2,5/2	470 102	25
	CS 2,5/3	470 103	20
	CS 2,5/4	470 104	15
	CS 2,5/5	470 105	10
	CS 2,5/10	470 109	5
	CS 2,5/20	470 170	10

Technical Data	
Rated Impulse Voltage / Pollution severity	8/3
Insulation material group / Gauge pin code according to IEC 60947-1	1/A3
Protection class / Protection conductor type	IP20/NA
<b>Marking Tags (Dekafix)</b>	
See pages 326-333 for a list of Dekafix	D_NS 5,2x6, SLF-P1 W

Package Quantity
50

Voltage, V ~	Current, A	Cross-Section
500	20	2,5 mm <sup>2</sup>

Voltage, V ~	Current, A	Cross-Section
500	24	2,5 mm <sup>2</sup>

Voltage, V ~	Current, A	Cross-Section
500	1	2,5 mm <sup>2</sup>

The max. current is determined by the diode. Installed: Diode 1N 4007, reverse voltage: 1300 V, maximum continuous current: 0.5 A.

Voltage, V ~	Current, A	Cross-Section
500	1	2,5 mm <sup>2</sup>

The max. current is determined by the diode. Installed: Diode 1N 4007, reverse voltage: 1300 V, maximum continuous current: 0.5 A.

Voltage, V ~	Current, A	Cross-Section
500	24	2,5 mm <sup>2</sup>

Voltage, V ~	Current, A	Cross-Section
500	1	2,5 mm <sup>2</sup>

The max. current is determined by the diode. Installed: Diode 1N 4007, reverse voltage: 1300 V, maximum continuous current: 0.5 A.

Voltage, V ~	Current, A	Cross-Section
500	1	2,5 mm <sup>2</sup>

The max. current is determined by the diode. Installed: Diode 1N 4007, reverse voltage: 1300 V, maximum continuous current: 0.5 A.

Type	Cat.No.	Qty.
NPP/SRD 2,5C	451 189	50

Type	Cat.No.	Qty.
APP/SRD 2,5C	464 119	50

Type	Cat.No.	Qty.
TF Ø2	493 020	5

Type	Cat.No.	Qty.
CS 2,5/2	470 102	25
CS 2,5/3	470 103	20
CS 2,5/4	470 104	15
CS 2,5/5	470 105	10
CS 2,5/10	470 109	5
CS 2,5/20	470 170	10

Technical Data	
Rated Impulse Voltage / Pollution severity	8/3
Insulation material group / Gauge pin code according to IEC 60947-1	1/A3
Protection class / Protection conductor type	IP20/NA
<b>Marking Tags (Dekafix)</b>	
See pages 326-333 for a list of Dekafix	D_NS 5,2x6, SLF-P1 W

Package Quantity
50

Voltage, V ~	Current, A	Cross-Section
500	1	2,5 mm <sup>2</sup>

The max. current is determined by the diode. Installed: Diode 1N 4007, reverse voltage: 1300 V, maximum continuous current: 0.5 A.

Voltage, V ~	Current, A	Cross-Section
500	1	2,5 mm <sup>2</sup>

The max. current is determined by the diode. Installed: Diode 1N 4007, reverse voltage: 1300 V, maximum continuous current: 0.5 A.

Voltage, V ~	Current, A	Cross-Section
500	1	2,5 mm <sup>2</sup>

The max. current is determined by the diode. Installed: Diode 1N 4007, reverse voltage: 1300 V, maximum continuous current: 0.5 A.

Type	Cat.No.	Qty.
NPP/SRD 2,5C	451 189	50

Type	Cat.No.	Qty.
APP/SRD 2,5C	464 119	50

Type	Cat.No.	Qty.
TF Ø2	493 020	5

Type	Cat.No.	Qty.
CS 2,5/2	470 102	25
CS 2,5/3	470 103	20
CS 2,5/4	470 104	15
CS 2,5/5	470 105	10
CS 2,5/10	470 109	5
CS 2,5/20	470 170	10

Technical Data	
Rated Impulse Voltage / Pollution severity	8/3
Insulation material group / Gauge pin code according to IEC 60947-1	1/A3
Protection class / Protection conductor type	IP20/NA
<b>Marking Tags (Dekafix)</b>	
See pages 326-333 for a list of Dekafix	D_NS 5,2x6, SLF-P1 W

Package Quantity
50

Voltage, V ~	Current, A	Cross-Section
500	1	2,5 mm <sup>2</sup>

The max. current is determined by the diode. Installed: Diode 1N 4007, reverse voltage: 1300 V, maximum continuous current: 0.5 A.

Voltage, V ~	Current, A	Cross-Section
500	1	2,5 mm <sup>2</sup>

The max. current is determined by the diode. Installed: Diode 1N 4007, reverse voltage: 1300 V, maximum continuous current: 0.5 A.

Voltage, V ~	Current, A	Cross-Section
500	1	2,5 mm <sup>2</sup>

The max. current is determined by the diode. Installed: Diode 1N 4007, reverse voltage: 1300 V, maximum continuous current: 0.5 A.

Type	Cat.No.	Qty.
NPP/SRD 2,5C	451 189	50

Type	Cat.No.	Qty.
APP/SRD 2,5C	464 119	50

Type	Cat.No.	Qty.
TF Ø2	493 020	5

Type	Cat.No.	Qty.
CS 2,5/2	470 102	25
CS 2,5/3	470 103	20
CS 2,5/4	470 104	15
CS 2,5/5	470 105	10
CS 2,5/10	470 109	5
CS 2,5/20	470 170	10

Technical Data	
Rated Impulse Voltage / Pollution severity	8/3
Insulation material group / Gauge pin code according to IEC 60947-1	1/A3
Protection class / Protection conductor type	IP20/NA
<b>Marking Tags (Dekafix)</b>	
See pages 326-333 for a list of Dekafix	D_NS 5,2x6, SLF-P1 W

Package Quantity
50

Voltage, V ~	Current, A	Cross-Section
500	1	2,5 mm <sup>2</sup>

The max. current is determined by the diode. Installed: Diode 1N 4007, reverse voltage: 1300 V, maximum continuous current: 0.5 A.

Voltage, V ~	Current, A	Cross-Section
500	1	2,5 mm <sup>2</sup>

The max. current is determined by the diode. Installed: Diode 1N 4007, reverse voltage: 1300 V, maximum continuous current: 0.5 A.

Voltage, V ~	Current, A	Cross-Section
500	1	2,5 mm <sup>2</sup>

The max. current is determined by the diode. Installed: Diode 1N 4007, reverse voltage: 1300 V, maximum continuous current: 0.5 A.

Type	Cat.No.	Qty.
NPP/SRD 2,5C	451 189	50

Type	Cat.No.	Qty.
APP/SRD 2,5C	464 119	50

Type	Cat.No.	Qty.
TF Ø2	493 020	5

Type	Cat.No.	Qty.
CS 2,5/2	470 102	25
CS 2,5/3	470 103	20
CS 2,5/4	470 104	15
CS 2,5/5	470 105	10
CS 2,5/10	470 109	5
CS 2,5/20	470 170	10

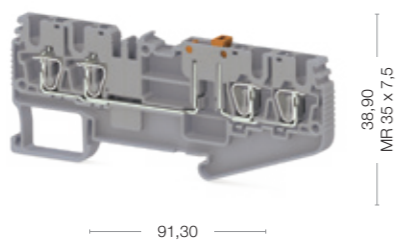
Technical Data	
Rated Impulse Voltage / Pollution severity	8/3
Insulation material group / Gauge pin code according to IEC 60947-1	1/A3
Protection class / Protection conductor type	IP20/NA
<b>Marking Tags (Dekafix)</b>	
See pages 326-333 for a list of Dekafix	D_NS 5,2x6, SLF-P1 W

Package Quantity
50

## SRD 2,5 CA

## new SRD 2,5 CA

Width: 5,2 mm

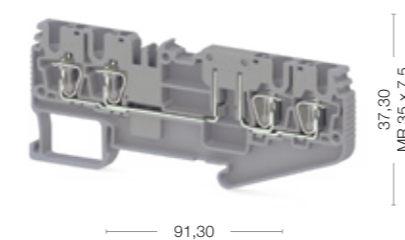


Cat No:

311 319  
 311 310

## new SRD 2,5 CAK

Width: 5,2 mm

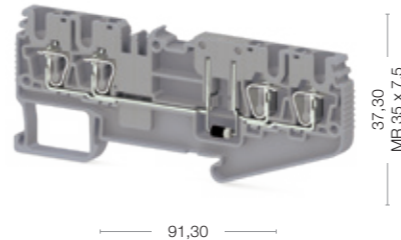


Cat No:

311 349  
 311 340

## new SRD 2,5 CAD-A

Width: 5,2 mm

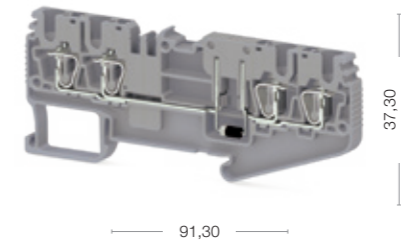


Cat No:

311 329  
 311 320

## new SRD 2,5 CAD-B

Width: 5,2 mm



Cat No:

311 339  
 311 330



Electrical Ratings	Voltage, V ~	Current, A	Cross-Section
IEC (EN 60947-7-1/EN 60947-7-2)	500	20	2,5 mm <sup>2</sup>
UL			
VDE (IEC 60947-7-1)			
CSA			
ATEX			
Connection Data			
Conductor cross section solid (min.-max.)	0,08 - 4 mm <sup>2</sup>		
Conductor cross section stranded (min.-max.)	0,14 - 2,5 mm <sup>2</sup>		
2 conductors with same cross section, stranded, TWIN ferrules with plastic sleeve	0,5 mm <sup>2</sup>		
AWG Conductor	28-12		
Insulation Stripping Length (min.-max.)	8-10		
Screwdriver	KT1 (0,4x2,5)		
Technical Data For Diode			
Diode Reverse Voltage	1000V		
Diode Current	1 A		
Diod	1 N 4007		
End Plate	Type	Cat.No.	Qty.
	NPP/SRD 2,5CA	451 169	50
Partition Plate	Type	Cat.No.	Qty.
	APP/SRD 2,5CA	464 089	50
Test Plug	Type	Cat.No.	Qty.
	TF Ø2	493 020	5
Cross Connection	Type	Cat.No.	Qty.
	CS 2,5/2	470 102	25
	CS 2,5/3	470 103	20
	CS 2,5/4	470 104	15
	CS 2,5/5	470 105	10
	CS 2,5/10	470 109	5
	CS 2,5/20	470 170	10
Technical Data			
Rated Impulse Voltage / Pollution severity	8/3		
Insulation material group / Gauge pin code according to IEC 60947-1	1/A3		
Protection class / Protection conductor type	IP20/NA		
Marking Tags (Dekafix)			
See pages 326-333 for a list of Dekafix	D_NS 5,2x6, SLF-P1 W		
Package Quantity	50		

Electrical Ratings	Voltage, V ~	Current, A	Cross-Section
IEC (EN 60947-7-1/EN 60947-7-2)	500	24	2,5 mm <sup>2</sup>
UL			
VDE (IEC 60947-7-1)			
CSA			
ATEX			
Connection Data			
Conductor cross section solid (min.-max.)	0,08 - 4 mm <sup>2</sup>		
Conductor cross section stranded (min.-max.)	0,14 - 2,5 mm <sup>2</sup>		
2 conductors with same cross section, stranded, TWIN ferrules with plastic sleeve	0,5 mm <sup>2</sup>		
AWG Conductor	28-12		
Insulation Stripping Length (min.-max.)	8-10		
Screwdriver	KT1 (0,4x2,5)		
Technical Data For Diode			
Diode Reverse Voltage	1000V		
Diode Current	1 A		
Diod	1 N 4007		
End Plate	Type	Cat.No.	Qty.
	NPP/SRD 2,5CA	451 169	50
Partition Plate	Type	Cat.No.	Qty.
	APP/SRD 2,5CA	464 089	50
Test Plug	Type	Cat.No.	Qty.
	TF Ø2	493 020	5
Cross Connection	Type	Cat.No.	Qty.
	CS 2,5/2	470 102	25
	CS 2,5/3	470 103	20
	CS 2,5/4	470 104	15
	CS 2,5/5	470 105	10
	CS 2,5/10	470 109	5
	CS 2,5/20	470 170	10
Technical Data			
Rated Impulse Voltage / Pollution severity	8/3		
Insulation material group / Gauge pin code according to IEC 60947-1	1/A3		
Protection class / Protection conductor type	IP20/NA		
Marking Tags (Dekafix)			
See pages 326-333 for a list of Dekafix	D_NS 5,2x6, SLF-P1 W		
Package Quantity	50		

Electrical Ratings	Voltage, V ~	Current, A	Cross-Section
IEC (EN 60947-7-1/EN 60947-7-2)	500	1	2,5 mm <sup>2</sup>
UL			
VDE (IEC 60947-7-1)			
CSA			
ATEX			
Connection Data			
Conductor cross section solid (min.-max.)	0,08 - 4 mm <sup>2</sup>		
Conductor cross section stranded (min.-max.)	0,14 - 2,5 mm <sup>2</sup>		
2 conductors with same cross section, stranded, TWIN ferrules with plastic sleeve	0,5 mm <sup>2</sup>		
AWG Conductor	28-12		
Insulation Stripping Length (min.-max.)	8-10		
Screwdriver	KT1 (0,4x2,5)		
Technical Data For Diode			
Diode Reverse Voltage	1000V		
Diode Current	1 A		
Diod	1 N 4007		
End Plate	Type	Cat.No.	Qty.
	NPP/SRD 2,5CA	451 169	50
Partition Plate	Type	Cat.No.	Qty.
	APP/SRD 2,5CA	464 089	50
Test Plug	Type	Cat.No.	Qty.
	TF Ø2	493 020	5
Cross Connection	Type	Cat.No.	Qty.
	CS 2,5/2	470 102	25
	CS 2,5/3	470 103	20
	CS 2,5/4	470 104	15
	CS 2,5/5	470 105	10
	CS 2,5/10	470 109	5
	CS 2,5/20	470 170	10
Technical Data			
Rated Impulse Voltage / Pollution severity	8/3		
Insulation material group / Gauge pin code according to IEC 60947-1	1/A3		
Protection class / Protection conductor type	IP20/NA		
Marking Tags (Dekafix)			
See pages 326-333 for a list of Dekafix	D_NS 5,2x6, SLF-P1 W		
Package Quantity	50		

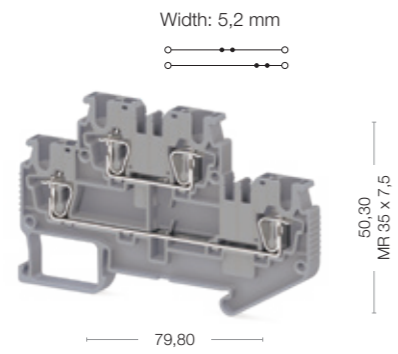
Electrical Ratings	Voltage, V ~	Current, A	Cross-Section
IEC (EN 60947-7-1/EN 60947-7-2)	500	1	2,5 mm <sup>2</sup>
UL			
VDE (IEC 60947-7-1)			
CSA			
ATEX			
Connection Data			
Conductor cross section solid (min.-max.)	0,08 - 4 mm <sup>2</sup>		
Conductor cross section stranded (min.-max.)	0,14 - 2,5 mm <sup>2</sup>		
2 conductors with same cross section, stranded, TWIN ferrules with plastic sleeve	0,5 mm <sup>2</sup>		
AWG Conductor	28-12		
Insulation Stripping Length (min.-max.)	8-10		
Screwdriver	KT1 (0,4x2,5)		
Technical Data For Diode			
Diode Reverse Voltage	1000V		
Diode Current	1 A		
Diod	1 N 4007		
End Plate	Type	Cat.No.	Qty.
	NPP/SRD 2,5CA	451 169	50
Partition Plate	Type	Cat.No.	Qty.
	APP/SRD 2,5CA	464 089	50
Test Plug	Type	Cat.No.	Qty.
	TF Ø2	493 020	5
Cross Connection	Type	Cat.No.	Qty.
	CS 2,5/2	470 102	25
	CS 2,5/3	470 103	20
	CS 2,5/4	470 104	15
	CS 2,5/5	470 105	10
	CS 2,5/10	470 109	5
	CS 2,5/20	470 170	10
Technical Data			
Rated Impulse Voltage / Pollution severity	8/3		
Insulation material group / Gauge pin code according to IEC 60947-1	1/A3		
Protection class / Protection conductor type	IP20/NA		
Marking Tags (Dekafix)			
See pages 326-333 for a list of Dekafix	D_NS 5,2x6, SLF-P1 W		
Package Quantity	50		

Electrical Ratings	Voltage, V ~	Current, A	Cross-Section
IEC (EN 60947-7-1/EN 60947-7-2)	500	1	2,5 mm <sup>2</sup>
UL			
VDE (IEC 60947-7-1)			
CSA			
ATEX			
Connection Data			
Conductor cross section solid (min.-max.)	0,08 - 4 mm <sup>2</sup>		
Conductor cross section stranded (min.-max.)	0,14 - 2,5 mm <sup>2</sup>		
2 conductors with same cross section, stranded, TWIN ferrules with plastic sleeve	0,5 mm <sup>2</sup>		
AWG Conductor	28-12		
Insulation Stripping Length (min.-max.)	8-10		
Screwdriver	KT1 (0,4x2,5)		
Technical Data For Diode			
Diode Reverse Voltage	1000V		
Diode Current	1 A		
Diod	1 N 4007		
End Plate	Type	Cat.No.	Qty.
	NPP/SRD 2,5CA	451 169	50
Partition Plate	Type	Cat.No.	Qty.
	APP/SRD 2,5CA	464 089	50
Test Plug	Type	Cat.No.	Qty.
	TF Ø2	493 020	5
Cross Connection	Type	Cat.No.	Qty.
	CS 2,5/2	470 102	25
	CS 2,5/3	470 103	20
	CS 2,5/4	470 104	15
	CS 2,5/5	470 105	10
	CS 2,5/10	470 109	5
	CS 2,5/20	470 170	10
Technical Data			
Rated Impulse Voltage / Pollution severity	8/3		
Insulation material group / Gauge pin code according to IEC 60947-1	1/A3		
Protection class / Protection conductor type	IP20/NA		
Marking Tags (Dekafix)			
See pages 326-333 for a list of Dekafix	D_NS 5,2x6, SLF-P1 W		
Package Quantity	50		

Electrical Ratings	Voltage, V ~	Current, A	Cross-Section
IEC (EN 60947-7-1/EN 60947-7-2)	500	1	2,5 mm <sup>2</sup>
UL			
VDE (IEC 60947-7-1)			
CSA			
ATEX			
Connection Data			
Conductor cross section solid (min.-max.)	0,08 - 4 mm <sup>2</sup>		
Conductor cross section stranded (min.-max.)	0,14 - 2,5 mm <sup>2</sup>		
2 conductors with same cross section, stranded, TWIN ferrules with plastic sleeve	0,5 mm <sup>2</sup>		
AWG Conductor	28-12		
Insulation Stripping Length (min.-max.)	8-10		
Screwdriver	KT1 (0,4x2,5)		
Technical Data For Diode			
Diode Reverse Voltage	1000V		
Diode Current	1 A		
Diod	1 N 4007		
End Plate	Type	Cat.No.	Qty.
	NPP/SRD 2,5CA	451 169	50
Partition Plate	Type	Cat.No.	Qty.
	APP/SRD 2,5CA	464 089	50
Test Plug	Type	Cat.No.	Qty.
	TF Ø2	493 020	5
Cross Connection	Type	Cat.No.	Qty.
	CS 2,5/2	470 102	25
	CS 2,5/3	470 103	20
	CS 2,5/4	470 104	15
	CS 2,5/5	470 105	10
	CS 2,5/10	470 109	5
	CS 2,5/20	470 170	10
Technical Data			
Rated Impulse Voltage / Pollution severity	8/3		
Insulation material group / Gauge pin code according to IEC 60947-1	1/A3		
Protection class / Protection conductor type	IP20/NA		
Marking Tags (Dekafix)			
See pages 326-333 for a list of Dekafix	D_NS 5,2x6, SLF-P1 W		
Package Quantity	50		

# SRD 2,5-2F

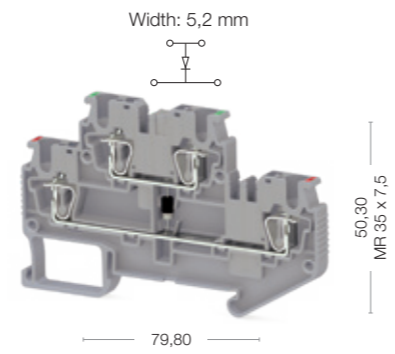
## new SRD 2,5-2F



Cat No:

- 311 359
- 311 350

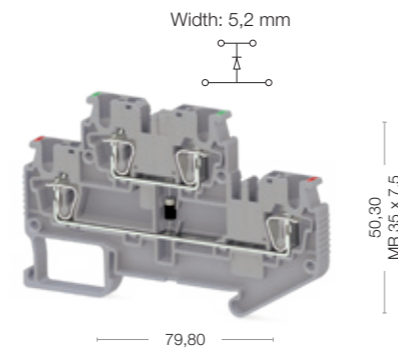
## new SRD 2,5-2FD-A



Cat No:

- 311 369
- 311 360

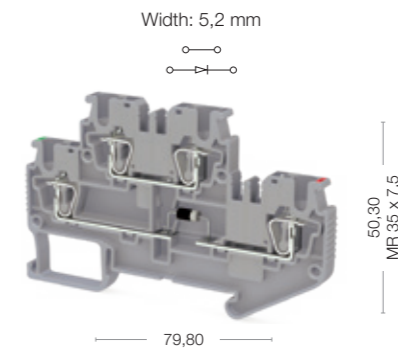
## new SRD 2,5-2FD-B



Cat No:

- 311 379
- 311 370

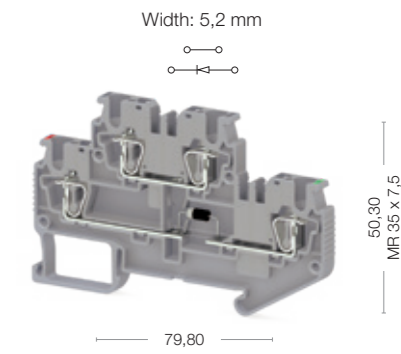
## new SRD 2,5-2FD-L



Cat No:

- 311 499
- 311 490




## new SRD 2,5-2FD-R



Cat No:

- 311 389
- 311 380



Electrical Ratings	Voltage, V ~	Current, A	Cross-Section	Voltage, V ~	Current, A	Cross-Section	Voltage, V ~	Current, A	Cross-Section	Voltage, V ~	Current, A	Cross-Section	Voltage, V ~	Current, A	Cross-Section
	IEC (EN 60947-7-1/EN 60947-7-2) UL VDE (IEC 60947-7-1) CSA ATEX	500	24		2,5 mm <sup>2</sup>	500		1	2,5 mm <sup>2</sup>		500	1		2,5 mm <sup>2</sup>	500
<b>Connection Data</b>															
Conductor cross section solid (min.-max.)	0,08 - 4 mm <sup>2</sup>			0,08 - 4 mm <sup>2</sup>			0,08 - 4 mm <sup>2</sup>			0,08 - 4 mm <sup>2</sup>			0,08 - 4 mm <sup>2</sup>		
Conductor cross section stranded (min.-max.)	0,14 - 2,5 mm <sup>2</sup>			0,14 - 2,5 mm <sup>2</sup>			0,14 - 2,5 mm <sup>2</sup>			0,14 - 2,5 mm <sup>2</sup>			0,14 - 2,5 mm <sup>2</sup>		
2 conductors with same cross section, stranded, TWIN ferrules with plastic sleeve	0,5 mm <sup>2</sup>			0,5 mm <sup>2</sup>			0,5 mm <sup>2</sup>			0,5 mm <sup>2</sup>			0,5 mm <sup>2</sup>		
AWG Conductor	28-12			28-12			28-12			28-12			28-12		
Insulation Stripping Length (min.-max.)	8-10			8-10			8-10			8-10			8-10		
Screwdriver	KT1 (0,4x2,5)			KT1 (0,4x2,5)			KT1 (0,4x2,5)			KT1 (0,4x2,5)			KT1 (0,4x2,5)		
<b>Technical Data For Diode</b>															
Diode Reverse Voltage				1000V			1000V			1000V			1000V		
Diode Current				1 A			1 A			1 A			1 A		
Diode				1 N 4007			1 N 4007			1 N 4007			1 N 4007		
<b>End Plate</b>	<b>Type</b>	<b>Cat.No.</b>	<b>Qty.</b>	<b>Type</b>	<b>Cat.No.</b>	<b>Qty.</b>	<b>Type</b>	<b>Cat.No.</b>	<b>Qty.</b>	<b>Type</b>	<b>Cat.No.</b>	<b>Qty.</b>	<b>Type</b>	<b>Cat.No.</b>	<b>Qty.</b>
	NPP/SRD 2,5_2F	451 079	50	NPP/SRD 2,5_2F	451 079	50	NPP/SRD 2,5_2F	451 079	50	NPP/SRD 2,5_2F	451 079	50	NPP/SRD 2,5_2F	451 079	50
<b>Partition Plate</b>	<b>Type</b>	<b>Cat.No.</b>	<b>Qty.</b>	<b>Type</b>	<b>Cat.No.</b>	<b>Qty.</b>	<b>Type</b>	<b>Cat.No.</b>	<b>Qty.</b>	<b>Type</b>	<b>Cat.No.</b>	<b>Qty.</b>	<b>Type</b>	<b>Cat.No.</b>	<b>Qty.</b>
	APP/SRD 2,5_2F	464 069	50	APP/SRD 2,5_2F	464 069	50	APP/SRD 2,5_2F	464 069	50	APP/SRD 2,5_2F	464 069	50	APP/SRD 2,5_2F	464 069	50
<b>Test Plug</b>	<b>Type</b>	<b>Cat.No.</b>	<b>Qty.</b>	<b>Type</b>	<b>Cat.No.</b>	<b>Qty.</b>	<b>Type</b>	<b>Cat.No.</b>	<b>Qty.</b>	<b>Type</b>	<b>Cat.No.</b>	<b>Qty.</b>	<b>Type</b>	<b>Cat.No.</b>	<b>Qty.</b>
	TF Ø2	493 020	5	TF Ø2	493 020	5	TF Ø2	493 020	5	TF Ø2	493 020	5	TF Ø2	493 020	5
<b>Cross Connection</b>	<b>Type</b>	<b>Cat.No.</b>	<b>Qty.</b>	<b>Type</b>	<b>Cat.No.</b>	<b>Qty.</b>	<b>Type</b>	<b>Cat.No.</b>	<b>Qty.</b>	<b>Type</b>	<b>Cat.No.</b>	<b>Qty.</b>	<b>Type</b>	<b>Cat.No.</b>	<b>Qty.</b>
	CS 2,5/2	470 102	25	CS 2,5/2	470 102	25	CS 2,5/2	470 102	25	CS 2,5/2	470 102	25	CS 2,5/2	470 102	25
	CS 2,5/3	470 103	20	CS 2,5/3	470 103	20	CS 2,5/3	470 103	20	CS 2,5/3	470 103	20	CS 2,5/3	470 103	20
	CS 2,5/4	470 104	15	CS 2,5/4	470 104	15	CS 2,5/4	470 104	15	CS 2,5/4	470 104	15	CS 2,5/4	470 104	15
	CS 2,5/5	470 105	10	CS 2,5/5	470 105	10	CS 2,5/5	470 105	10	CS 2,5/5	470 105	10	CS 2,5/5	470 105	10
	CS 2,5/10	470 109	5	CS 2,5/10	470 109	5	CS 2,5/10	470 109	5	CS 2,5/10	470 109	5	CS 2,5/10	470 109	5
	CS 2,5/20	470 170	10	CS 2,5/20	470 170	10	CS 2,5/20	470 170	10	CS 2,5/20	470 170	10	CS 2,5/20	470 170	10
<b>Technical Data</b>															
Rated Impulse Voltage / Pollution severity	8/3			8/3			8/3			8/3			8/3		
Insulation material group / Gauge pin code according to IEC 60947-1	1/A3			1/A3			1/A3			1/A3			1/A3		
Protection class / Protection conductor type	IP20/NA			IP20/NA			IP20/NA			IP20/NA			IP20/NA		
<b>Marking Tags (Dekafix)</b>															
See pages 326-333 for a list of Dekafix	D_NS 5,2x6, SLF-P2 W			D_NS 5,2x6, SLF-P2 W			D_NS 5,2x6, SLF-P2 W			D_NS 5,2x6, SLF-P2 W			D_NS 5,2x6, SLF-P2 W		
<b>Package Quantity</b>	50			50			50			50			50		



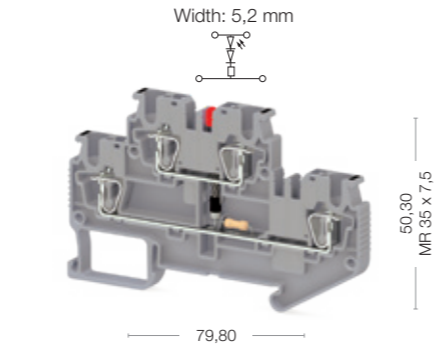
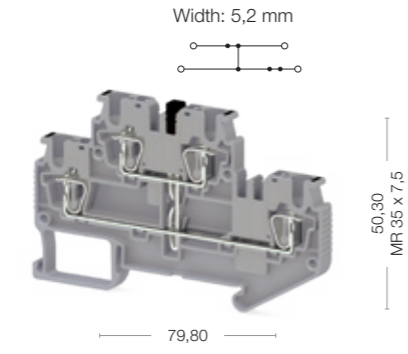
# SRD 2,5-2F



## SRD 2,5-2FK



## SRD 2,5-2FLD-24VAC



Cat No:

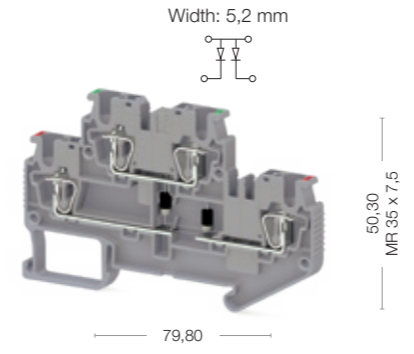
- 311 519
- 311 510

Cat No:

- 311 409
- 311 400



## SRD 2,5-F2D-A

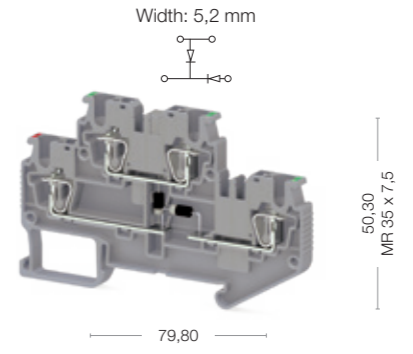


Cat No:

- 311 479
- 311 470



## SRD 2,5-F2D-B



Cat No:

- 311 489
- 311 480



Electrical Ratings
IEC (EN 60947-7-1/EN 60947-7-2)
UL
VDE (IEC 60947-7-1)
CSA
ATEX

Connection Data	
Conductor cross section solid (min.-max.)	0,08 - 4 mm <sup>2</sup>
Conductor cross section stranded (min.-max.)	0,14 - 2,5 mm <sup>2</sup>
2 conductors with same cross section, stranded, TWIN ferrules with plastic sleeve	0,5 mm <sup>2</sup>
AWG Conductor	28-12
Insulation Stripping Length (min.-max.)	8-10
Screwdriver	KT1 (0,4x2,5)

Technical Data For Diode	
Diode Reverse Voltage	
Diode Current	
Diod	

End Plate	Type	Cat.No.	Qty.
	NPP/SRD 2,5_2F	451 079	50

Partition Plate	Type	Cat.No.	Qty.
	APP/SRD 2,5_2F	464 069	50

Test Plug	Type	Cat.No.	Qty.
	TF Ø2	493 020	5

Cross Connection	Type	Cat.No.	Qty.
	CS 2,5/2	470 102	25
	CS 2,5/3	470 103	20
	CS 2,5/4	470 104	15
	CS 2,5/5	470 105	10
	CS 2,5/10	470 109	5
	CS 2,5/20	470 170	10

Technical Data	
Rated Impulse Voltage / Pollution severity	8/3
Insulation material group / Gauge pin code according to IEC 60947-1	1/A3
Protection class / Protection conductor type	IP20/NA
<b>Marking Tags (Dekafix)</b>	
See pages 326-333 for a list of Dekafix	D_NS 5,2x6, SLF-P2 W

Package Quantity
50

Voltage, V ~	Current, A	Cross-Section
500	24	2,5 mm <sup>2</sup>

Voltage, V ~	Current, A	Cross-Section
24	24	2,5 mm <sup>2</sup>

Voltage, V ~	Current, A	Cross-Section

Type	Cat.No.	Qty.
NPP/SRD 2,5_2F	451 079	50

Type	Cat.No.	Qty.
APP/SRD 2,5_2F	464 069	50

Type	Cat.No.	Qty.
TF Ø2	493 020	5

Type	Cat.No.	Qty.
CS 2,5/2	470 102	25
CS 2,5/3	470 103	20
CS 2,5/4	470 104	15
CS 2,5/5	470 105	10
CS 2,5/10	470 109	5
CS 2,5/20	470 170	10

Rated Impulse Voltage / Pollution severity
8/3

50
----

Voltage, V ~	Current, A	Cross-Section
24	24	2,5 mm <sup>2</sup>

Voltage, V ~	Current, A	Cross-Section

Type	Cat.No.	Qty.
NPP/SRD 2,5_2F	451 079	50

Type	Cat.No.	Qty.
APP/SRD 2,5_2F	464 069	50

Type	Cat.No.	Qty.
TF Ø2	493 020	5

Type	Cat.No.	Qty.
CS 2,5/2	470 102	25
CS 2,5/3	470 103	20
CS 2,5/4	470 104	15
CS 2,5/5	470 105	10
CS 2,5/10	470 109	5
CS 2,5/20	470 170	10

Rated Impulse Voltage / Pollution severity
8/3

50
----

Voltage, V ~	Current, A	Cross-Section
500	1	2,5 mm <sup>2</sup>

The max. current is determined by the diode. Installed: Diode 1N 4007, reverse voltage: 1300 V, maximum continuous current: 0.5 A.		
--	--	--

Voltage, V ~	Current, A	Cross-Section

Type	Cat.No.	Qty.
NPP/SRD 2,5_2F	451 079	50

Type	Cat.No.	Qty.
APP/SRD 2,5_2F	464 069	50

Type	Cat.No.	Qty.
TF Ø2	493 020	5

Type	Cat.No.	Qty.
CS 2,5/2	470 102	25
CS 2,5/3	470 103	20
CS 2,5/4	470 104	15
CS 2,5/5	470 105	10
CS 2,5/10	470 109	5
CS 2,5/20	470 170	10

Rated Impulse Voltage / Pollution severity
8/3

50
----

Voltage, V ~	Current, A	Cross-Section
500	1	2,5 mm <sup>2</sup>

The max. current is determined by the diode. Installed: Diode 1N 4007, reverse voltage: 1300 V, maximum continuous current: 0.5 A.		
--	--	--

Voltage, V ~	Current, A	Cross-Section

Type	Cat.No.	Qty.
NPP/SRD 2,5_2F	451 079	50

Type	Cat.No.	Qty.
APP/SRD 2,5_2F	464 069	50

Type	Cat.No.	Qty.
TF Ø2	493 020	5

Type	Cat.No.	Qty.
CS 2,5/2	470 102	25
CS 2,5/3	470 103	20
CS 2,5/4	470 104	15
CS 2,5/5	470 105	10
CS 2,5/10	470 109	5
CS 2,5/20	470 170	10

Rated Impulse Voltage / Pollution severity
8/3

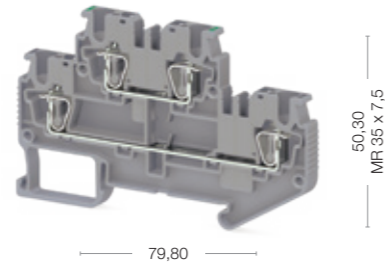
50
----

SRD 2,5-2FLD-..... Ordering Data		
24VDC	Gray	311 399
	Beige	311 390
48VAC	Gray	311 429
	Beige	311 420
48VDC	Gray	311 419
	Beige	311 410
110VAC	Gray	311 449
	Beige	311 440
110VDC	Gray	311 439
	Beige	311 430
220VAC	Gray	311 469
	Beige	311 460
220VDC	Gray	311 459
	Beige	311 450

# SRD 2,5-2F SRD 2,5-FT

## **new** SRD 2,5-FN

Width: 5,2 mm

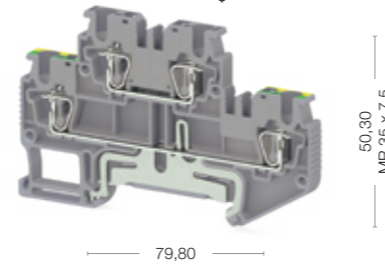
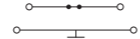


Cat No:

- 311 509
- 311 500

## **new** SRD 2,5-FT

Width: 5,2 mm

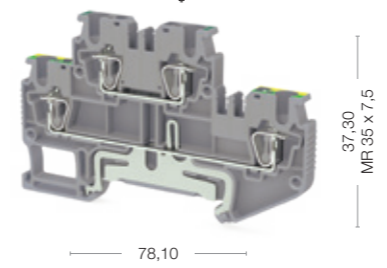
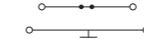


Cat No:

- 311 529
- 311 520

## **new** SRD 2,5-NT

Width: 5,2 mm

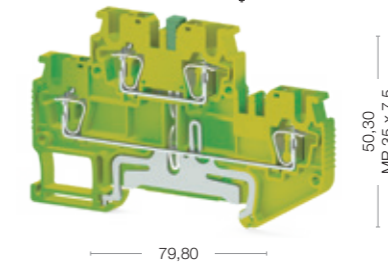


Cat No:

- 311 539
- 311 530

## **new** SRD 2,5-2T

Width: 5,2 mm



Cat No:

- 337 150



Electrical Ratings
IEC (EN 60947-7-1/EN 60947-7-2)
UL
VDE (IEC 60947-7-1)
CSA
ATEX

Connection Data	
Conductor cross section solid (min.-max.)	0,08 - 4 mm <sup>2</sup>
Conductor cross section stranded (min.-max.)	0,14 - 2,5 mm <sup>2</sup>
2 conductors with same cross section, stranded, TWIN ferrules with plastic sleeve	0,5 mm <sup>2</sup>
AWG Conductor	28-12
Insulation Stripping Length (min.-max.)	8-10
Screwdriver	KT1 (0,4x2,5)

Technical Data For Diode
Diode Reverse Voltage
Diode Current
Diod

End Plate	Type	Cat.No.	Qty.
	NPP/SRD 2,5_2F	451 079	50

Partition Plate	Type	Cat.No.	Qty.
	APP/SRD 2,5_2F	464 069	50

Test Plug	Type	Cat.No.	Qty.
	TF Ø2	493 020	5

Cross Connection	Type	Cat.No.	Qty.
	CS 2,5/2	470 102	25
	CS 2,5/3	470 103	20
	CS 2,5/4	470 104	15
	CS 2,5/5	470 105	10
	CS 2,5/10	470 109	5
	CS 2,5/20	470 170	10

Technical Data	
Rated Impulse Voltage / Pollution severity	8/3
Insulation material group / Gauge pin code according to IEC 60947-1	1/A3
Protection class / Protection conductor type	IP20/NA

Marking Tags (Dekafix)	
See pages 326-333 for a list of Dekafix	D_NS 5,2x6, SLF-P2 W

Package Quantity
50

Voltage, V ~	Current, A	Cross-Section
500	24	2,5 mm <sup>2</sup>

	0,08 - 4 mm <sup>2</sup>
	0,14 - 2,5 mm <sup>2</sup>
	0,5 mm <sup>2</sup>
	28-12
	8-10
	KT1 (0,4x2,5)

Type	Cat.No.	Qty.
NPP/SRD 2,5_2F	451 079	50

Type	Cat.No.	Qty.
APP/SRD 2,5_2F	464 069	50

Type	Cat.No.	Qty.
TF Ø2	493 020	5

	CS 2,5/2	470 102	25
	CS 2,5/3	470 103	20
	CS 2,5/4	470 104	15
	CS 2,5/5	470 105	10
	CS 2,5/10	470 109	5
	CS 2,5/20	470 170	10

	8/3
	1/A3
	IP20/NA

	D_NS 5,2x6, SLF-P2 W
--	----------------------

50
----

Voltage, V ~	Current, A	Cross-Section
500	24	2,5 mm <sup>2</sup>

	0,08 - 4 mm <sup>2</sup>
	0,14 - 2,5 mm <sup>2</sup>
	0,5 mm <sup>2</sup>
	28-12
	8-10
	KT1 (0,4x2,5)

Type	Cat.No.	Qty.
NPP/SRD 2,5_2F	451 079	50

Type	Cat.No.	Qty.
APP/SRD 2,5_2F	464 069	50

Type	Cat.No.	Qty.
TF Ø2	493 020	5

	CS 2,5/2	470 102	25
	CS 2,5/3	470 103	20
	CS 2,5/4	470 104	15
	CS 2,5/5	470 105	10
	CS 2,5/10	470 109	5
	CS 2,5/20	470 170	10

	8/3
	1/A3
	IP20/PE

	D_NS 5,2x6, SLF-P2 W
--	----------------------

50
----

Voltage, V ~	Current, A	Cross-Section
500	24	2,5 mm <sup>2</sup>

	0,08 - 4 mm <sup>2</sup>
	0,14 - 2,5 mm <sup>2</sup>
	0,5 mm <sup>2</sup>
	28-12
	8-10
	KT1 (0,4x2,5)

Type	Cat.No.	Qty.
NPP/SRD 2,5F	451 079	50

Type	Cat.No.	Qty.
APP/SRD 2,5F	464 069	50

Type	Cat.No.	Qty.
TF Ø2	493 020	5

	CS 2,5/2	470 102	25
	CS 2,5/3	470 103	20
	CS 2,5/4	470 104	15
	CS 2,5/5	470 105	10
	CS 2,5/10	470 109	5
	CS 2,5/20	470 170	10

	8/3
	1/A3
	IP20/PE

	D_NS 5,2x6, SLF-P2 W
--	----------------------

50
----

Voltage, V ~	Current, A	Cross-Section
500	24	2,5 mm <sup>2</sup>

	0,08 - 4 mm <sup>2</sup>
	0,14 - 2,5 mm <sup>2</sup>
	0,5 mm <sup>2</sup>
	28-12
	8-10
	KT1 (0,4x2,5)

Type	Cat.No.	Qty.
NPP/SRD 2,5	451 072T	50

Type	Cat.No.	Qty.
APP/SRD 2,5	464 029	50

Type	Cat.No.	Qty.
TF Ø2	493 020	5

	CS 2,5/2	470 102	25
	CS 2,5/3	470 103	20
	CS 2,5/4	470 104	15
	CS 2,5/5	470 105	10
	CS 2,5/10	470 109	5
	CS 2,5/20	470 170	10

	8/3
	1/A3
	IP20/PE

	D_NS 5,2x6, SLF-P2 W
--	----------------------

50
----

Voltage, V ~	Current, A	Cross-Section
500	24	2,5 mm <sup>2</sup>

	0,08 - 4 mm <sup>2</sup>
	0,14 - 2,5 mm <sup>2</sup>
	0,5 mm <sup>2</sup>
	28-12
	8-10
	KT1 (0,4x2,5)

Type	Cat.No.	Qty.
NPP/SRD 2,5	451 072T	50

Type	Cat.No.	Qty.
APP/SRD 2,5	464 029	50

Type	Cat.No.	Qty.
TF Ø2	493 020	5

	CS 2,5/2	470 102	25
	CS 2,5/3	470 103	20
	CS 2,5/4	470 104	15
	CS 2,5/5	470 105	10
	CS 2,5/10	470 109	5
	CS 2,5/20	470 170	10

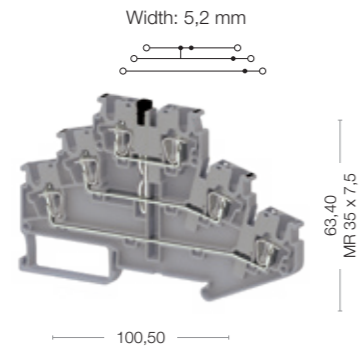
	8/3
	1/A3
	IP20/PE

	D_NS 5,2x6, SLF-P2 W
--	----------------------

50
----

# SRD 2,5-3F

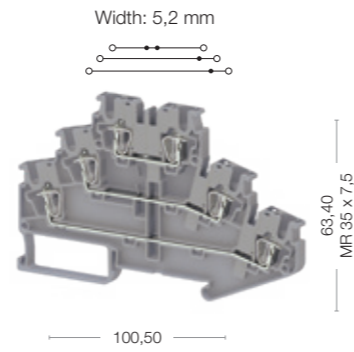
## **new** SRD 2,5-2KF



Cat No:

- 311 569
- 311 560

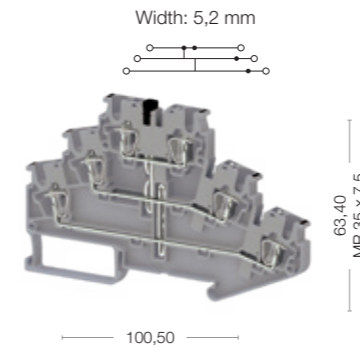
## **new** SRD 2,5-3F



Cat No:

- 311 549
- 311 540

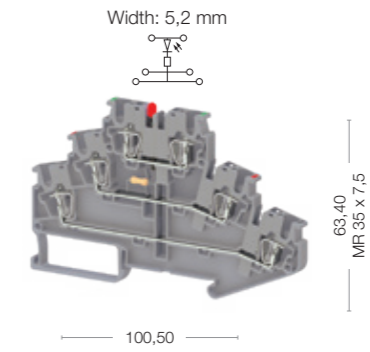
## **new** SRD 2,5-3FK



Cat No:

- 311 559
- 311 550

## **new** SRD 2,5-3FLD-24VDC



Cat No:

- 311 579
- 311 570



Electrical Ratings	Voltage, V ~	Current, A	Cross-Section
IEC (EN 60947-7-1/EN 60947-7-2)	500	24	2,5 mm <sup>2</sup>
UL			
VDE (IEC 60947-7-1)			
CSA			
ATEX			
Connection Data			
Conductor cross section solid (min.-max.)	0,08 - 4 mm <sup>2</sup>		
Conductor cross section stranded (min.-max.)	0,14 - 2,5 mm <sup>2</sup>		
2 conductors with same cross section, stranded, TWIN ferrules with plastic sleeve	0,5 mm <sup>2</sup>		
AWG Conductor	28-12		
Insulation Stripping Length (min.-max.)	8-10		
Screwdriver	KT1 (0,4x2,5)		
Technical Data For Diode			
Diode Reverse Voltage			
Diode Current			
Diode			
End Plate	<b>Type</b>	<b>Cat.No.</b>	<b>Qty.</b>
	NPP/SRD 2,5_3F	451 109	50
Partition Plate	<b>Type</b>	<b>Cat.No.</b>	<b>Qty.</b>
Test Plug	<b>Type</b>	<b>Cat.No.</b>	<b>Qty.</b>
	TF Ø2	493 020	5
Cross Connection	<b>Type</b>	<b>Cat.No.</b>	<b>Qty.</b>
	CS 2,5/2	470 102	25
	CS 2,5/3	470 103	20
	CS 2,5/4	470 104	15
	CS 2,5/5	470 105	10
	CS 2,5/10	470 109	5
	CS 2,5/20	470 170	10
Technical Data			
Rated Impulse Voltage / Pollution severity	8/3		
Insulation material group / Gauge pin code according to IEC 60947-1	1/A3		
Protection class / Protection conductor type	IP20/NA		
Marking Tags (Dekafix)			
See pages 326-333 for a list of Dekafix	D_NS 5,2x6, SLF-P2 W		
Package Quantity	50		

Electrical Ratings	Voltage, V ~	Current, A	Cross-Section
IEC (EN 60947-7-1/EN 60947-7-2)	500	24	2,5 mm <sup>2</sup>
UL			
VDE (IEC 60947-7-1)			
CSA			
ATEX			
Connection Data			
Conductor cross section solid (min.-max.)	0,08 - 4 mm <sup>2</sup>		
Conductor cross section stranded (min.-max.)	0,14 - 2,5 mm <sup>2</sup>		
2 conductors with same cross section, stranded, TWIN ferrules with plastic sleeve	0,5 mm <sup>2</sup>		
AWG Conductor	28-12		
Insulation Stripping Length (min.-max.)	8-10		
Screwdriver	KT1 (0,4x2,5)		
Technical Data For Diode			
Diode Reverse Voltage			
Diode Current			
Diode			
End Plate	<b>Type</b>	<b>Cat.No.</b>	<b>Qty.</b>
	NPP/SRD 2,5_3F	451 109	50
Partition Plate	<b>Type</b>	<b>Cat.No.</b>	<b>Qty.</b>
Test Plug	<b>Type</b>	<b>Cat.No.</b>	<b>Qty.</b>
	TF Ø2	493 020	5
Cross Connection	<b>Type</b>	<b>Cat.No.</b>	<b>Qty.</b>
	CS 2,5/2	470 102	25
	CS 2,5/3	470 103	20
	CS 2,5/4	470 104	15
	CS 2,5/5	470 105	10
	CS 2,5/10	470 109	5
	CS 2,5/20	470 170	10
Technical Data			
Rated Impulse Voltage / Pollution severity	8/3		
Insulation material group / Gauge pin code according to IEC 60947-1	1/A3		
Protection class / Protection conductor type	IP20/NA		
Marking Tags (Dekafix)			
See pages 326-333 for a list of Dekafix	D_NS 5,2x6, SLF-P2 W		
Package Quantity	50		

Electrical Ratings	Voltage, V ~	Current, A	Cross-Section
IEC (EN 60947-7-1/EN 60947-7-2)	500	24	2,5 mm <sup>2</sup>
UL			
VDE (IEC 60947-7-1)			
CSA			
ATEX			
Connection Data			
Conductor cross section solid (min.-max.)	0,08 - 4 mm <sup>2</sup>		
Conductor cross section stranded (min.-max.)	0,14 - 2,5 mm <sup>2</sup>		
2 conductors with same cross section, stranded, TWIN ferrules with plastic sleeve	0,5 mm <sup>2</sup>		
AWG Conductor	28-12		
Insulation Stripping Length (min.-max.)	8-10		
Screwdriver	KT1 (0,4x2,5)		
Technical Data For Diode			
Diode Reverse Voltage			
Diode Current			
Diode			
End Plate	<b>Type</b>	<b>Cat.No.</b>	<b>Qty.</b>
	NPP/SRD 2,5_3F	451 109	50
Partition Plate	<b>Type</b>	<b>Cat.No.</b>	<b>Qty.</b>
Test Plug	<b>Type</b>	<b>Cat.No.</b>	<b>Qty.</b>
	TF Ø2	493 020	5
Cross Connection	<b>Type</b>	<b>Cat.No.</b>	<b>Qty.</b>
	CS 2,5/2	470 102	25
	CS 2,5/3	470 103	20
	CS 2,5/4	470 104	15
	CS 2,5/5	470 105	10
	CS 2,5/10	470 109	5
	CS 2,5/20	470 170	10
Technical Data			
Rated Impulse Voltage / Pollution severity	8/3		
Insulation material group / Gauge pin code according to IEC 60947-1	1/A3		
Protection class / Protection conductor type	IP20/NA		
Marking Tags (Dekafix)			
See pages 326-333 for a list of Dekafix	D_NS 5,2x6, SLF-P2 W		
Package Quantity	50		

Electrical Ratings	Voltage, V ~	Current, A	Cross-Section
IEC (EN 60947-7-1/EN 60947-7-2)	500	24	2,5 mm <sup>2</sup>
UL			
VDE (IEC 60947-7-1)			
CSA			
ATEX			
Connection Data			
Conductor cross section solid (min.-max.)	0,08 - 4 mm <sup>2</sup>		
Conductor cross section stranded (min.-max.)	0,14 - 2,5 mm <sup>2</sup>		
2 conductors with same cross section, stranded, TWIN ferrules with plastic sleeve	0,5 mm <sup>2</sup>		
AWG Conductor	28-12		
Insulation Stripping Length (min.-max.)	8-10		
Screwdriver	KT1 (0,4x2,5)		
Technical Data For Diode			
Diode Reverse Voltage			
Diode Current			
Diode			
End Plate	<b>Type</b>	<b>Cat.No.</b>	<b>Qty.</b>
	NPP/SRD 2,5_3F	451 109	50
Partition Plate	<b>Type</b>	<b>Cat.No.</b>	<b>Qty.</b>
Test Plug	<b>Type</b>	<b>Cat.No.</b>	<b>Qty.</b>
	TF Ø2	493 020	5
Cross Connection	<b>Type</b>	<b>Cat.No.</b>	<b>Qty.</b>
	CS 2,5/2	470 102	25
	CS 2,5/3	470 103	20
	CS 2,5/4	470 104	15
	CS 2,5/5	470 105	10
	CS 2,5/10	470 109	5
	CS 2,5/20	470 170	10
Technical Data			
Rated Impulse Voltage / Pollution severity	8/3		
Insulation material group / Gauge pin code according to IEC 60947-1	1/A3		
Protection class / Protection conductor type	IP20/NA		
Marking Tags (Dekafix)			
See pages 326-333 for a list of Dekafix	D_NS 5,2x6, SLF-P2 W		
Package Quantity	50		

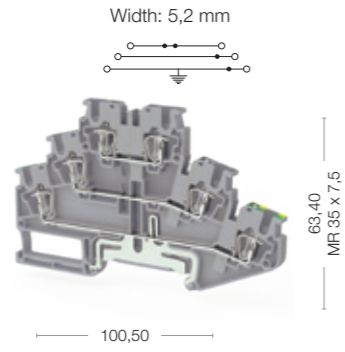
Electrical Ratings	Voltage, V ~	Current, A	Cross-Section
IEC (EN 60947-7-1/EN 60947-7-2)	500	24	2,5 mm <sup>2</sup>
UL			
VDE (IEC 60947-7-1)			
CSA			
ATEX			
Connection Data			
Conductor cross section solid (min.-max.)	0,08 - 4 mm <sup>2</sup>		
Conductor cross section stranded (min.-max.)	0,14 - 2,5 mm <sup>2</sup>		
2 conductors with same cross section, stranded, TWIN ferrules with plastic sleeve	0,5 mm <sup>2</sup>		
AWG Conductor	28-12		
Insulation Stripping Length (min.-max.)	8-10		
Screwdriver	KT1 (0,4x2,5)		
Technical Data For Diode			
Diode Reverse Voltage			
Diode Current			
Diode			
End Plate	<b>Type</b>	<b>Cat.No.</b>	<b>Qty.</b>
	NPP/SRD 2,5_3F	451 109	50
Partition Plate	<b>Type</b>	<b>Cat.No.</b>	<b>Qty.</b>
Test Plug	<b>Type</b>	<b>Cat.No.</b>	<b>Qty.</b>
	TF Ø2	493 020	5
Cross Connection	<b>Type</b>	<b>Cat.No.</b>	<b>Qty.</b>
	CS 2,5/2	470 102	25
	CS 2,5/3	470 103	20
	CS 2,5/4	470 104	15
	CS 2,5/5	470 105	10
	CS 2,5/10	470 109	5
	CS 2,5/20	470 170	10
Technical Data			
Rated Impulse Voltage / Pollution severity	8/3		
Insulation material group / Gauge pin code according to IEC 60947-1	1/A3		
Protection class / Protection conductor type	IP20/NA		
Marking Tags (Dekafix)			
See pages 326-333 for a list of Dekafix	D_NS 5,2x6, SLF-P2 W		
Package Quantity	50		

Electrical Ratings	Voltage, V ~	Current, A	Cross-Section
IEC (EN 60947-7-1/EN 60947-7-2)	24	24	2,5 mm <sup>2</sup>
UL			
VDE (IEC 60947-7-1)			
CSA			
ATEX			
Connection Data			
Conductor cross section solid (min.-max.)	0,08 - 4 mm <sup>2</sup>		
Conductor cross section stranded (min.-max.)	0,14 - 2,5 mm <sup>2</sup>		
2 conductors with same cross section, stranded, TWIN ferrules with plastic sleeve	0,5 mm <sup>2</sup>		
AWG Conductor	28-12		
Insulation Stripping Length (min.-max.)	8-10		
Screwdriver	KT1 (0,4x2,5)		
Technical Data For Diode			
Diode Reverse Voltage			
Diode Current			
Diode			
End Plate	<b>Type</b>	<b>Cat.No.</b>	<b>Qty.</b>
	NPP/SRD 2,5_3F	451 109	50
Partition Plate	<b>Type</b>	<b>Cat.No.</b>	<b>Qty.</b>
Test Plug	<b>Type</b>	<b>Cat.No.</b>	<b>Qty.</b>
	TF Ø2	493 020	5
Cross Connection	<b>Type</b>	<b>Cat.No.</b>	<b>Qty.</b>
	CS 2,5/2	470 102	25
	CS 2,5/3	470 103	20
	CS 2,5/4	470 104	15
	CS 2,5/5	470 105	10
	CS 2,5/10	470 109	5
	CS 2,5/20	470 170	10
Technical Data			
Rated Impulse Voltage / Pollution severity	8/3		
Insulation material group / Gauge pin code according to IEC 60947-1	1/A3		
Protection class / Protection conductor type	IP20/NA		
Marking Tags (Dekafix)			
See pages 326-333 for a list of Dekafix	D_NS 5,2x6, SLF-P2 W		
Package Quantity	50		

SRD 2,5 CLD-..... Ordering Data		
48VDC	Gray	311 589
	Beige	311 580
110VDC	Gray	311 599
	Beige	311 590
200VDC	Gray	311 609
	Beige	311 600

# SRD 2,5-2FT

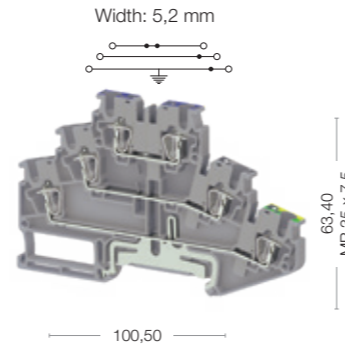
## **new** SRD 2,5-2FT



Cat No:

- 311 619
- 311 610

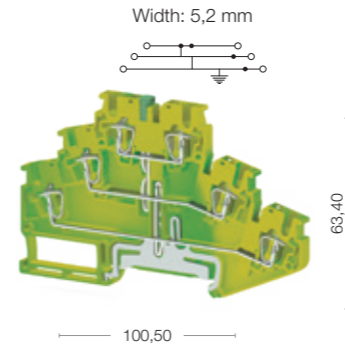
## **new** SRD 2,5-NFT



Cat No:

- 311 669
- 311 660




## **new** SRD 2,5-3T



Cat No:

- 337 160



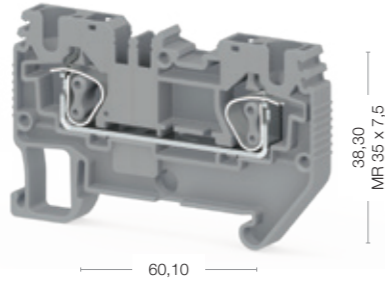
Electrical Ratings	Voltage, V ~	Current, A	Cross-Section	Voltage, V ~	Current, A	Cross-Section		Voltage, V ~	Current, A	Cross-Section
IEC (EN 60947-7-1/EN 60947-7-2)	500	24	2,5 mm <sup>2</sup>	500	24	2,5 mm <sup>2</sup>				
UL										
VDE (IEC 60947-7-1)										
CSA										
ATEX										
<b>Connection Data</b>										
Conductor cross section solid (min.-max.)	0,08 - 4 mm <sup>2</sup>			0,08 - 4 mm <sup>2</sup>				0,08 - 4 mm <sup>2</sup>		
Conductor cross section stranded (min.-max.)	0,14 - 2,5 mm <sup>2</sup>			0,14 - 2,5 mm <sup>2</sup>				0,14 - 2,5 mm <sup>2</sup>		
2 conductors with same cross section, stranded, TWIN ferrules with plastic sleeve	0,5 mm <sup>2</sup>			0,5 mm <sup>2</sup>				0,5 mm <sup>2</sup>		
AWG Conductor	28-12			28-12				28-12		
Insulation Stripping Length (min.-max.)	8-10			8-10				8-10		
Screwdriver	KT1 (0,4x2,5)			KT1 (0,4x2,5)				KT1 (0,4x2,5)		
<b>Technical Data For Diode</b>										
Diode Reverse Voltage										
Diode Current										
Diod										
<b>End Plate</b>	<b>Type</b>	<b>Cat.No.</b>	<b>Qty.</b>	<b>Type</b>	<b>Cat.No.</b>	<b>Qty.</b>		<b>Type</b>	<b>Cat.No.</b>	<b>Qty.</b>
	NPP/SRD 2,5_3F	451 109	50	NPP/SRD 2,5_3F	451 109	50		NPP/SRD 2,5_3F	451 102T	50
<b>Partition Plate</b>	<b>Type</b>	<b>Cat.No.</b>	<b>Qty.</b>	<b>Type</b>	<b>Cat.No.</b>	<b>Qty.</b>		<b>Type</b>	<b>Cat.No.</b>	<b>Qty.</b>
										
<b>Test Plug</b>	<b>Type</b>	<b>Cat.No.</b>	<b>Qty.</b>	<b>Type</b>	<b>Cat.No.</b>	<b>Qty.</b>		<b>Type</b>	<b>Cat.No.</b>	<b>Qty.</b>
	TF Ø2	493 020	5	TF Ø2	493 020	5		TF Ø2	493 020	5
<b>Cross Connection</b>	<b>Type</b>	<b>Cat.No.</b>	<b>Qty.</b>	<b>Type</b>	<b>Cat.No.</b>	<b>Qty.</b>		<b>Type</b>	<b>Cat.No.</b>	<b>Qty.</b>
	CS 2,5/2	470 102	25	CS 2,5/2	470 102	25				
	CS 2,5/3	470 103	20	CS 2,5/3	470 103	20				
	CS 2,5/4	470 104	15	CS 2,5/4	470 104	15				
	CS 2,5/5	470 105	10	CS 2,5/5	470 105	10				
	CS 2,5/10	470 109	5	CS 2,5/10	470 109	5				
	CS 2,5/20	470 170	10	CS 2,5/20	470 170	10				
<b>Technical Data</b>										
Rated Impulse Voltage / Pollution severity	8/3			8/3				8/3		
Insulation material group / Gauge pin code according to IEC 60947-1	1/A3			1/A3				1/A3		
Protection class / Protection conductor type	IP20/PE			IP20/PE				IP20/PE		
<b>Marking Tags (Dekafix)</b>										
See pages 326-333 for a list of Dekafix	D_NS 5,2x6, SLF-P2 W			D_NS 5,2x6, SLF-P2 W				D_NS 5,2x6, SLF-P2 W		
<b>Package Quantity</b>	50			50				50		



**SRD 4**

**new SRD 4**

Width: 6,2 mm

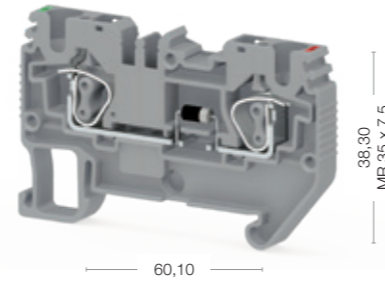


Cat No:

- 311 679
- 311 670

**new SRD 4 D-A**

Width: 6,2 mm

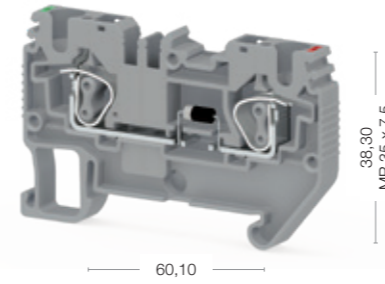


Cat No:

- 311 689
- 311 680

**new SRD 4 D-B**

Width: 6,2 mm

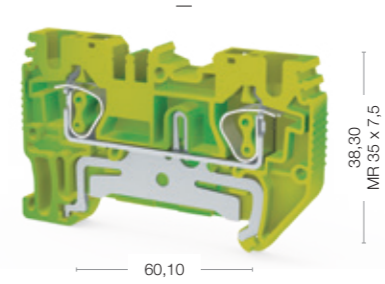


Cat No:

- 311 699
- 311 690

**new SRD 4 T**

Width: 6,2 mm



Cat No:

- 337 170



Electrical Ratings	Voltage, V ~	Current, A	Cross-Section
IEC (EN 60947-7-1/EN 60947-7-2)	800	32	4 mm <sup>2</sup>
UL			
VDE (IEC 60947-7-1)			
CSA			
ATEX			
Connection Data			
Conductor cross section solid (min.-max.)	0,08 -6 mm <sup>2</sup>		
Conductor cross section stranded (min.-max.)	0,14 - 4 mm <sup>2</sup>		
2 conductors with same cross section, stranded, TWIN ferrules with plastic sleeve	1 mm <sup>2</sup>		
AWG Conductor	28-10		
Insulation Stripping Length (min.-max.)	8-10		
Screwdriver	KT3 (0,6x3,5)		
Technical Data For Diode			
Diode Reverse Voltage	1000V		
Diode Current	1 A		
Diod	1 N 4007		
End Plate	Type	Cat.No.	Qty.
	NPP/SRD 4	451 239	50
Partition Plate	Type	Cat.No.	Qty.
	APP/SRD 4	464 149	50
Test Plug	Type	Cat.No.	Qty.
	TF Ø2	493 020	5
Cross Connection	Type	Cat.No.	Qty.
	CS 4/2	470 112	25
	CS 4/3	470 113	20
	CS 4/4	470 114	15
	CS 4/5	470 115	10
	CS 4/10	470 119	5
	CS 4/20	470 180	10
Technical Data			
Rated Impulse Voltage / Pollution severity	8/3		
Insulation material group / Gauge pin code according to IEC 60947-1	1/A3		
Protection class / Protection conductor type	IP20/NA		
Marking Tags (Dekafix)			
See pages 326-333 for a list of Dekafix	D_NS 6,2x6, SLF-P1 W		
Package Quantity	50		

Electrical Ratings	Voltage, V ~	Current, A	Cross-Section
IEC (EN 60947-7-1/EN 60947-7-2)	800	1	4 mm <sup>2</sup>
UL			
VDE (IEC 60947-7-1)			
CSA			
ATEX			
Connection Data			
Conductor cross section solid (min.-max.)	0,08 -6 mm <sup>2</sup>		
Conductor cross section stranded (min.-max.)	0,14 - 4 mm <sup>2</sup>		
2 conductors with same cross section, stranded, TWIN ferrules with plastic sleeve	1 mm <sup>2</sup>		
AWG Conductor	28-10		
Insulation Stripping Length (min.-max.)	8-10		
Screwdriver	KT3 (0,6x3,5)		
Technical Data For Diode			
Diode Reverse Voltage	1000V		
Diode Current	1 A		
Diod	1 N 4007		
End Plate	Type	Cat.No.	Qty.
	NPP/SRD 4	451 239	50
Partition Plate	Type	Cat.No.	Qty.
	APP/SRD 4	464 149	50
Test Plug	Type	Cat.No.	Qty.
	TF Ø2	493 020	5
Cross Connection	Type	Cat.No.	Qty.
	CS 4/2	470 112	25
	CS 4/3	470 113	20
	CS 4/4	470 114	15
	CS 4/5	470 115	10
	CS 4/10	470 119	5
	CS 4/20	470 180	10
Technical Data			
Rated Impulse Voltage / Pollution severity	8/3		
Insulation material group / Gauge pin code according to IEC 60947-1	1/A3		
Protection class / Protection conductor type	IP20/NA		
Marking Tags (Dekafix)			
See pages 326-333 for a list of Dekafix	D_NS 6,2x6, SLF-P1 W		
Package Quantity	50		

Electrical Ratings	Voltage, V ~	Current, A	Cross-Section
IEC (EN 60947-7-1/EN 60947-7-2)	800	1	4 mm <sup>2</sup>
UL			
VDE (IEC 60947-7-1)			
CSA			
ATEX			
Connection Data			
Conductor cross section solid (min.-max.)	0,08 -6 mm <sup>2</sup>		
Conductor cross section stranded (min.-max.)	0,14 - 4 mm <sup>2</sup>		
2 conductors with same cross section, stranded, TWIN ferrules with plastic sleeve	1 mm <sup>2</sup>		
AWG Conductor	28-10		
Insulation Stripping Length (min.-max.)	8-10		
Screwdriver	KT3 (0,6x3,5)		
Technical Data For Diode			
Diode Reverse Voltage	1000V		
Diode Current	1 A		
Diod	1 N 4007		
End Plate	Type	Cat.No.	Qty.
	NPP/SRD 4	451 239	50
Partition Plate	Type	Cat.No.	Qty.
	APP/SRD 4	464 149	50
Test Plug	Type	Cat.No.	Qty.
	TF Ø2	493 020	5
Cross Connection	Type	Cat.No.	Qty.
	CS 4/2	470 112	25
	CS 4/3	470 113	20
	CS 4/4	470 114	15
	CS 4/5	470 115	10
	CS 4/10	470 119	5
	CS 4/20	470 180	10
Technical Data			
Rated Impulse Voltage / Pollution severity	8/3		
Insulation material group / Gauge pin code according to IEC 60947-1	1/A3		
Protection class / Protection conductor type	IP20/NA		
Marking Tags (Dekafix)			
See pages 326-333 for a list of Dekafix	D_NS 6,2x6, SLF-P1 W		
Package Quantity	50		

Electrical Ratings	Voltage, V ~	Current, A	Cross-Section
IEC (EN 60947-7-1/EN 60947-7-2)	800	1	4 mm <sup>2</sup>
UL			
VDE (IEC 60947-7-1)			
CSA			
ATEX			
Connection Data			
Conductor cross section solid (min.-max.)	0,08 -6 mm <sup>2</sup>		
Conductor cross section stranded (min.-max.)	0,14 - 4 mm <sup>2</sup>		
2 conductors with same cross section, stranded, TWIN ferrules with plastic sleeve	1 mm <sup>2</sup>		
AWG Conductor	28-10		
Insulation Stripping Length (min.-max.)	8-10		
Screwdriver	KT3 (0,6x3,5)		
Technical Data For Diode			
Diode Reverse Voltage	1000V		
Diode Current	1 A		
Diod	1 N 4007		
End Plate	Type	Cat.No.	Qty.
	NPP/SRD 4	451 239	50
Partition Plate	Type	Cat.No.	Qty.
	APP/SRD 4	464 149	50
Test Plug	Type	Cat.No.	Qty.
	TF Ø2	493 020	5
Cross Connection	Type	Cat.No.	Qty.
	CS 4/2	470 112	25
	CS 4/3	470 113	20
	CS 4/4	470 114	15
	CS 4/5	470 115	10
	CS 4/10	470 119	5
	CS 4/20	470 180	10
Technical Data			
Rated Impulse Voltage / Pollution severity	8/3		
Insulation material group / Gauge pin code according to IEC 60947-1	1/A3		
Protection class / Protection conductor type	IP20/NA		
Marking Tags (Dekafix)			
See pages 326-333 for a list of Dekafix	D_NS 6,2x6, SLF-P1 W		
Package Quantity	50		

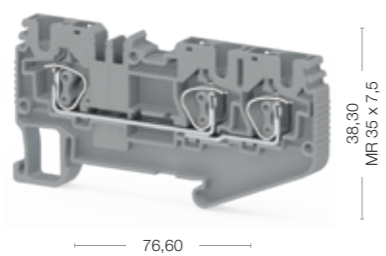
Electrical Ratings	Voltage, V ~	Current, A	Cross-Section
IEC (EN 60947-7-1/EN 60947-7-2)	800	1	4 mm <sup>2</sup>
UL			
VDE (IEC 60947-7-1)			
CSA			
ATEX			
Connection Data			
Conductor cross section solid (min.-max.)	0,08 -6 mm <sup>2</sup>		
Conductor cross section stranded (min.-max.)	0,14 - 4 mm <sup>2</sup>		
2 conductors with same cross section, stranded, TWIN ferrules with plastic sleeve	1 mm <sup>2</sup>		
AWG Conductor	28-10		
Insulation Stripping Length (min.-max.)	8-10		
Screwdriver	KT3 (0,6x3,5)		
Technical Data For Diode			
Diode Reverse Voltage	1000V		
Diode Current	1 A		
Diod	1 N 4007		
End Plate	Type	Cat.No.	Qty.
	NPP/SRD 4	451 239	50
Partition Plate	Type	Cat.No.	Qty.
	APP/SRD 4	464 149	50
Test Plug	Type	Cat.No.	Qty.
	TF Ø2	493 020	5
Cross Connection	Type	Cat.No.	Qty.
	CS 4/2	470 112	25
	CS 4/3	470 113	20
	CS 4/4	470 114	15
	CS 4/5	470 115	10
	CS 4/10	470 119	5
	CS 4/20	470 180	10
Technical Data			
Rated Impulse Voltage / Pollution severity	8/3		
Insulation material group / Gauge pin code according to IEC 60947-1	1/A3		
Protection class / Protection conductor type	IP20/NA		
Marking Tags (Dekafix)			
See pages 326-333 for a list of Dekafix	D_NS 6,2x6, SLF-P1 W		
Package Quantity	50		

Electrical Ratings	Voltage, V ~	Current, A	Cross-Section
IEC (EN 60947-7-1/EN 60947-7-2)	800	1	4 mm <sup>2</sup>
UL			
VDE (IEC 60947-7-1)			
CSA			
ATEX			
Connection Data			
Conductor cross section solid (min.-max.)	0,08 -6 mm <sup>2</sup>		
Conductor cross section stranded (min.-max.)	0,14 - 4 mm <sup>2</sup>		
2 conductors with same cross section, stranded, TWIN ferrules with plastic sleeve	1 mm <sup>2</sup>		
AWG Conductor	28-10		
Insulation Stripping Length (min.-max.)	8-10		
Screwdriver	KT3 (0,6x3,5)		
Technical Data For Diode			
Diode Reverse Voltage	1000V		
Diode Current	1 A		
Diod	1 N 4007		
End Plate	Type	Cat.No.	Qty.
	NPP/SRD 4	451 232T	50
Partition Plate	Type	Cat.No.	Qty.
	APP/SRD 4	464 149	50
Test Plug	Type	Cat.No.	Qty.
	TF Ø2	493 020	5
Cross Connection	Type	Cat.No.	Qty.
	CS 4/2	470 112	25
	CS 4/3	470 113	20
	CS 4/4	470 114	15
	CS 4/5	470 115	10
	CS 4/10	470 119	5
	CS 4/20	470 180	10
Technical Data			
Rated Impulse Voltage / Pollution severity	8/3		
Insulation material group / Gauge pin code according to IEC 60947-1	1/A3		
Protection class / Protection conductor type	IP20/PE		
Marking Tags (Dekafix)			
See pages 326-333 for a list of Dekafix	D_NS 6,2x6, SLF-P1 W		
Package Quantity	50		

# SRD 4 E

## new SRD 4 E

Width: 6,2 mm

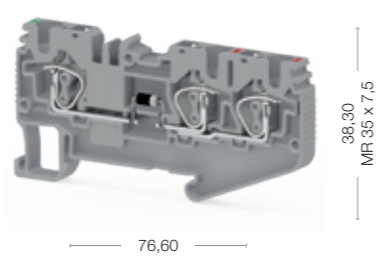


Cat No:

- 311 709
- 311 700

## new SRD 4 ED-A

Width: 6,2 mm

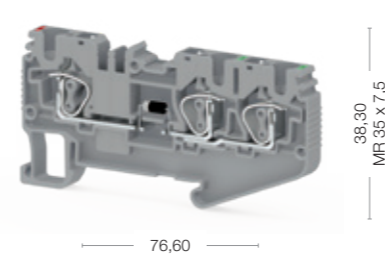


Cat No:

- 311 719
- 311 710

## new SRD 4 ED-B

Width: 6,2 mm

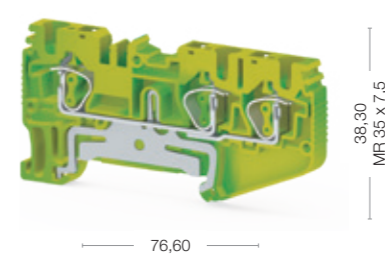


Cat No:

- 311 729
- 311 720

## new SRD 4 ET

Width: 6,2 mm



Cat No:

- 337 180



Electrical Ratings
IEC (EN 60947-7-1/EN 60947-7-2)
UL
VDE (IEC 60947-7-1)
CSA
ATEX

Connection Data	
Conductor cross section solid (min.-max.)	0,08 -6 mm <sup>2</sup>
Conductor cross section stranded (min.-max.)	0,14 - 4 mm <sup>2</sup>
2 conductors with same cross section, stranded, TWIN ferrules with plastic sleeve	1 mm <sup>2</sup>
AWG Conductor	28-10
Insulation Stripping Length (min.-max.)	8-10
Screwdriver	KT3 (0,6x3,5)

Technical Data For Diode	
Diode Reverse Voltage	
Diode Current	
Diod	

End Plate

Partition Plate

Test Plug

Cross Connection

Technical Data	
Rated Impulse Voltage / Pollution severity	8/3
Insulation material group / Gauge pin code according to IEC 60947-1	1/A3
Protection class / Protection conductor type	IP20/NA

Marking Tags (Dekafix)	
See pages 326-333 for a list of Dekafix	D_NS 6,2x6, SLF-P1 W

Package Quantity
50

Voltage, V ~	Current, A	Cross-Section
800	32	4 mm <sup>2</sup>

Voltage, V ~	Current, A	Cross-Section
800	1	4 mm <sup>2</sup>

Voltage, V ~	Current, A	Cross-Section
800	1	4 mm <sup>2</sup>

Type	Cat.No.	Qty.
NPP/SRD 4	451 239	50

Type	Cat.No.	Qty.
APP/SRD 4	464 149	50

Type	Cat.No.	Qty.
TF Ø2	493 020	5

Type	Cat.No.	Qty.
CS 4/2	470 112	25
CS 4/3	470 113	20
CS 4/4	470 114	15
CS 4/5	470 115	10
CS 4/10	470 119	5
CS 4/20	470 180	10

Voltage, V ~	Current, A	Cross-Section
800	1	4 mm <sup>2</sup>

Voltage, V ~	Current, A	Cross-Section
800	1	4 mm <sup>2</sup>

Voltage, V ~	Current, A	Cross-Section
800	1	4 mm <sup>2</sup>

Voltage, V ~	Current, A	Cross-Section
800	1	4 mm <sup>2</sup>

Voltage, V ~	Current, A	Cross-Section
800	1	4 mm <sup>2</sup>

Voltage, V ~	Current, A	Cross-Section
800	1	4 mm <sup>2</sup>

Type	Cat.No.	Qty.
NPP/SRD 4E	451 199	50

Type	Cat.No.	Qty.
APP/SRD 4E	464 129	50

Type	Cat.No.	Qty.
TF Ø2	493 020	5

Type	Cat.No.	Qty.
CS 4/2	470 112	25
CS 4/3	470 113	20
CS 4/4	470 114	15
CS 4/5	470 115	10
CS 4/10	470 119	5
CS 4/20	470 180	10

Voltage, V ~	Current, A	Cross-Section
800	1	4 mm <sup>2</sup>

Voltage, V ~	Current, A	Cross-Section
800	1	4 mm <sup>2</sup>

Voltage, V ~	Current, A	Cross-Section
800	1	4 mm <sup>2</sup>

Voltage, V ~	Current, A	Cross-Section
800	1	4 mm <sup>2</sup>

Voltage, V ~	Current, A	Cross-Section
800	1	4 mm <sup>2</sup>

Voltage, V ~	Current, A	Cross-Section
800	1	4 mm <sup>2</sup>

Type	Cat.No.	Qty.
NPP/SRD 4E	451 199	50

Type	Cat.No.	Qty.
APP/SRD 4E	464 129	50

Type	Cat.No.	Qty.
TF Ø2	493 020	5

Type	Cat.No.	Qty.
CS 4/2	470 112	25
CS 4/3	470 113	20
CS 4/4	470 114	15
CS 4/5	470 115	10
CS 4/10	470 119	5
CS 4/20	470 180	10

Voltage, V ~	Current, A	Cross-Section
800	1	4 mm <sup>2</sup>

Voltage, V ~	Current, A	Cross-Section
800	1	4 mm <sup>2</sup>

Voltage, V ~	Current, A	Cross-Section
800	1	4 mm <sup>2</sup>

Voltage, V ~	Current, A	Cross-Section
800	1	4 mm <sup>2</sup>

Voltage, V ~	Current, A	Cross-Section
800	1	4 mm <sup>2</sup>

Voltage, V ~	Current, A	Cross-Section
800	1	4 mm <sup>2</sup>

Type	Cat.No.	Qty.
NPP/SRD 4E	451 199	50

Type	Cat.No.	Qty.
APP/SRD 4E	464 129	50

Type	Cat.No.	Qty.
TF Ø2	493 020	5

Type	Cat.No.	Qty.
CS 4/2	470 112	25
CS 4/3	470 113	20
CS 4/4	470 114	15
CS 4/5	470 115	10
CS 4/10	470 119	5
CS 4/20	470 180	10

Voltage, V ~	Current, A	Cross-Section
800	1	4 mm <sup>2</sup>

Voltage, V ~	Current, A	Cross-Section
800	1	4 mm <sup>2</sup>

Voltage, V ~	Current, A	Cross-Section
800	1	4 mm <sup>2</sup>

Voltage, V ~	Current, A	Cross-Section
800	1	4 mm <sup>2</sup>

Voltage, V ~	Current, A	Cross-Section
800	1	4 mm <sup>2</sup>

Voltage, V ~	Current, A	Cross-Section
800	1	4 mm <sup>2</sup>

Type	Cat.No.	Qty.
NPP/SRD 4E	451 192T	50

Type	Cat.No.	Qty.
APP/SRD 4E	464 129	50

Type	Cat.No.	Qty.
TF Ø2	493 020	5

Type	Cat.No.	Qty.
CS 4/2	470 112	25
CS 4/3	470 113	20
CS 4/4	470 114	15
CS 4/5	470 115	10
CS 4/10	470 119	5
CS 4/20	470 180	10

Voltage, V ~	Current, A	Cross-Section
800	1	4 mm <sup>2</sup>

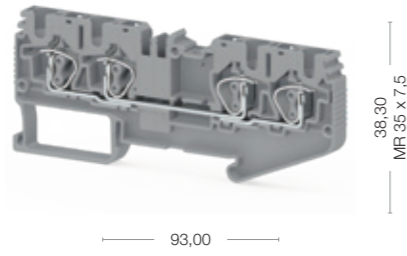
Voltage, V ~	Current, A	Cross-Section
800	1	4 mm <sup>2</sup>

Voltage, V ~	Current, A	Cross-Section
800	1	4 mm <sup>2</sup>

# SRD 4 C

## **new** SRD 4 C

Width: 6,2 mm

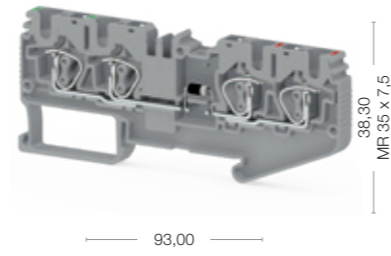


Cat No:

- 311 739
- 311 730

## **new** SRD 4 CD-A

Width: 6,2 mm

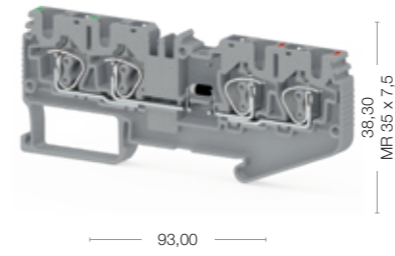


Cat No:

- 311 749
- 311 740

## **new** SRD 4 CD-B

Width: 6,2 mm



Cat No:

- 311 759
- 311 750



Electrical Ratings
IEC (EN 60947-7-1/EN 60947-7-2)
UL
VDE (IEC 60947-7-1)
CSA
ATEX

Connection Data
Conductor cross section solid (min.-max.)
Conductor cross section stranded (min.-max.)
2 conductors with same cross section, stranded, TWIN ferrules with plastic sleeve
AWG Conductor
Insulation Stripping Length (min.-max.)
Screwdriver

Technical Data For Diode
Diode Reverse Voltage
Diode Current
Diod

End Plate

Partition Plate

Test Plug

Cross Connection

Technical Data
Rated Impulse Voltage / Pollution severity
Insulation material group / Gauge pin code according to IEC 60947-1
Protection class / Protection conductor type
<b>Marking Tags (Dekafix)</b>
See pages 326-333 for a list of Dekafix

Package Quantity
50

Voltage, V ~	Current, A	Cross-Section
800	32	4 mm <sup>2</sup>

0,08 -6 mm <sup>2</sup>
0,14 - 4 mm <sup>2</sup>
1 mm <sup>2</sup>
28-10
8-10
KT3 (0,6x3,5)

1000V
1 A
1 N 4007

Type	Cat.No.	Qty.
NPP/SRD 4C	451 209	50

Type	Cat.No.	Qty.
APP/SRD 4C	464 139	50

Type	Cat.No.	Qty.
TF Ø2	493 020	5

Type	Cat.No.	Qty.
CS 4/2	470 112	25
CS 4/3	470 113	20
CS 4/4	470 114	15
CS 4/5	470 115	10
CS 4/10	470 119	5
CS 4/20	470 180	10

8/3
1/A3
IP20/NA
D_NS 6,2x6, SLF-P1 W

Voltage, V ~	Current, A	Cross-Section
800	1	4 mm <sup>2</sup>

0,08 -6 mm <sup>2</sup>
0,14 - 4 mm <sup>2</sup>
1 mm <sup>2</sup>
28-10
8-10
KT3 (0,6x3,5)

1000V
1 A
1 N 4007

Type	Cat.No.	Qty.
NPP/SRD 4C	451 209	50

Type	Cat.No.	Qty.
APP/SRD 4C	464 139	50

Type	Cat.No.	Qty.
TF Ø2	493 020	5

Type	Cat.No.	Qty.
CS 4/2	470 112	25
CS 4/3	470 113	20
CS 4/4	470 114	15
CS 4/5	470 115	10
CS 4/10	470 119	5
CS 4/20	470 180	10

8/3
1/A3
IP20/NA
D_NS 6,2x6, SLF-P1 W

Package Quantity
50

Voltage, V ~	Current, A	Cross-Section
800	1	4 mm <sup>2</sup>

0,08 -6 mm <sup>2</sup>
0,14 - 4 mm <sup>2</sup>
1 mm <sup>2</sup>
28-10
8-10
KT3 (0,6x3,5)

1000V
1 A
1 N 4007

Type	Cat.No.	Qty.
NPP/SRD 4C	451 209	50

Type	Cat.No.	Qty.
APP/SRD 4C	464 139	50

Type	Cat.No.	Qty.
TF Ø2	493 020	5

Type	Cat.No.	Qty.
CS 4/2	470 112	25
CS 4/3	470 113	20
CS 4/4	470 114	15
CS 4/5	470 115	10
CS 4/10	470 119	5
CS 4/20	470 180	10

8/3
1/A3
IP20/NA
D_NS 6,2x6, SLF-P1 W

Package Quantity
50

Voltage, V ~	Current, A	Cross-Section
800	1	4 mm <sup>2</sup>

0,08 -6 mm <sup>2</sup>
0,14 - 4 mm <sup>2</sup>
1 mm <sup>2</sup>
28-10
8-10
KT3 (0,6x3,5)

1000V
1 A
1 N 4007

Type	Cat.No.	Qty.
NPP/SRD 4C	451 209	50

Type	Cat.No.	Qty.
APP/SRD 4C	464 139	50

Type	Cat.No.	Qty.
TF Ø2	493 020	5

Type	Cat.No.	Qty.
CS 4/2	470 112	25
CS 4/3	470 113	20
CS 4/4	470 114	15
CS 4/5	470 115	10
CS 4/10	470 119	5
CS 4/20	470 180	10

8/3
1/A3
IP20/NA
D_NS 6,2x6, SLF-P1 W

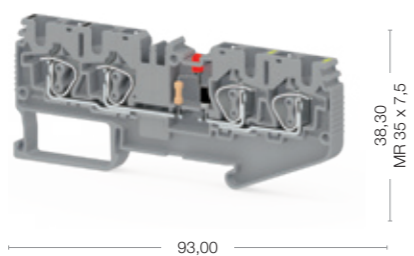
Package Quantity
50



## SRD 4 CLD

## **new** SRD 4 CLD-24VAC

Width: 6,2 mm



Cat No:

311 789  
 311 780



Electrical Ratings	Voltage, V ~	Current, A	Cross-Section
IEC (EN 60947-7-1/EN 60947-7-2)	24	32	4 mm <sup>2</sup>
UL			
VDE (IEC 60947-7-1)			
CSA			
ATEX			

Connection Data	
Conductor cross section solid (min.-max.)	0,08 -6 mm <sup>2</sup>
Conductor cross section stranded (min.-max.)	0,14 - 4 mm <sup>2</sup>
2 conductors with same cross section, stranded, TWIN ferrules with plastic sleeve	1 mm <sup>2</sup>
AWG Conductor	28-10
Insulation Stripping Length (min.-max.)	8-10
Screwdriver	KT3 (0,6x3,5)

Technical Data For Diode	
Diode Reverse Voltage	
Diode Current	
Diod	

End Plate	Type	Cat.No.	Qty.
	NPP/SRD 4C	451 209	50

Partition Plate	Type	Cat.No.	Qty.
	APP/SRD 4C	464 139	50

Test Plug	Type	Cat.No.	Qty.
	TF Ø2	493 020	5

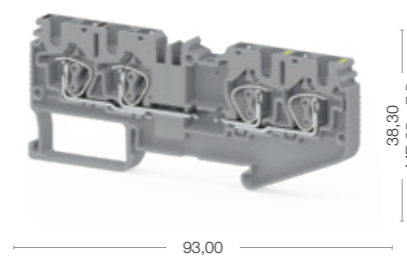
Cross Connection	Type	Cat.No.	Qty.
	CS 4/2	470 112	25
	CS 4/3	470 113	20
	CS 4/4	470 114	15
	CS 4/5	470 115	10
	CS 4/10	470 119	5
	CS 4/20	470 180	10

Technical Data	
Rated Impulse Voltage / Pollution severity	8/3
Insulation material group / Gauge pin code according to IEC 60947-1	1/A3
Protection class / Protection conductor type	IP20/NA
Marking Tags (Dekafix)	
See pages 326-333 for a list of Dekafix	D_NS 6,2x6, SLF-P1 W

Package Quantity	
	50

## **new** SRD 4 Cx2

Width: 6,2 mm



Cat No:

311 769  
 311 760

Electrical Ratings	Voltage, V ~	Current, A	Cross-Section
	400	32	4 mm <sup>2</sup>

Connection Data	
Conductor cross section solid (min.-max.)	0,08 -6 mm <sup>2</sup>
Conductor cross section stranded (min.-max.)	0,14 - 4 mm <sup>2</sup>
2 conductors with same cross section, stranded, TWIN ferrules with plastic sleeve	1 mm <sup>2</sup>
AWG Conductor	28-10
Insulation Stripping Length (min.-max.)	8-10
Screwdriver	KT3 (0,6x3,5)

End Plate	Type	Cat.No.	Qty.
	NPP/SRD 4C	451 209	50

Partition Plate	Type	Cat.No.	Qty.
	APP/SRD 4C	464 139	50

Test Plug	Type	Cat.No.	Qty.
	TF Ø2	493 020	5

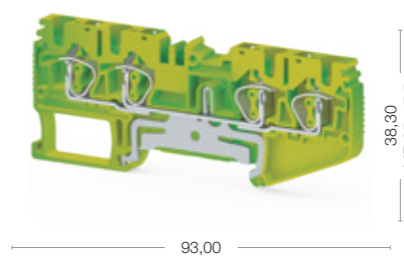
Cross Connection	Type	Cat.No.	Qty.
	CS 4/2	470 112	25
	CS 4/3	470 113	20
	CS 4/4	470 114	15
	CS 4/5	470 115	10
	CS 4/10	470 119	5
	CS 4/20	470 180	10

Technical Data	
Rated Impulse Voltage / Pollution severity	8/3
Insulation material group / Gauge pin code according to IEC 60947-1	1/A3
Protection class / Protection conductor type	IP20/NA
Marking Tags (Dekafix)	
See pages 326-333 for a list of Dekafix	D_NS 6,2x6, SLF-P1 W

Package Quantity	
	50

## **new** SRD 4 CT

Width: 6,2 mm



Cat No:

337 190

Electrical Ratings	Voltage, V ~	Current, A	Cross-Section

Connection Data	
Conductor cross section solid (min.-max.)	0,08 -6 mm <sup>2</sup>
Conductor cross section stranded (min.-max.)	0,14 - 4 mm <sup>2</sup>
2 conductors with same cross section, stranded, TWIN ferrules with plastic sleeve	1 mm <sup>2</sup>
AWG Conductor	28-10
Insulation Stripping Length (min.-max.)	8-10
Screwdriver	KT3 (0,6x3,5)

End Plate	Type	Cat.No.	Qty.
	NPP/SRD 24C	451 202T	50

Partition Plate	Type	Cat.No.	Qty.
	APP/SRD 4C	464 139	50

Test Plug	Type	Cat.No.	Qty.
	TF Ø2	493 020	5

Cross Connection	Type	Cat.No.	Qty.
	CS 4/2	470 112	25
	CS 4/3	470 113	20
	CS 4/4	470 114	15
	CS 4/5	470 115	10
	CS 4/10	470 119	5
	CS 4/20	470 180	10


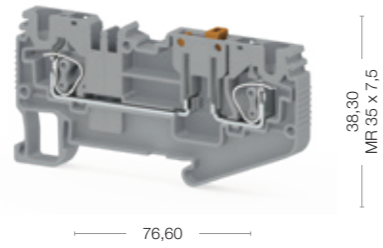
Technical Data	
Rated Impulse Voltage / Pollution severity	8/3
Insulation material group / Gauge pin code according to IEC 60947-1	1/A3
Protection class / Protection conductor type	IP20/PE
Marking Tags (Dekafix)	
See pages 326-333 for a list of Dekafix	D_NS 6,2x6, SLF-P1 W

Package Quantity	
	50

# SRD 4 A

## **new** SRD 4 A

Width: 6,2 mm

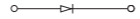
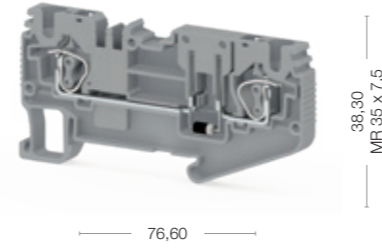



Cat No:

- 311 869
- 311 860

## **new** SRD 4 AD-A

Width: 6,2 mm


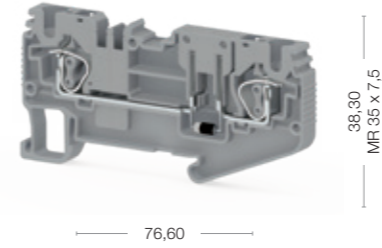



Cat No:

- 311 879
- 311 870

## **new** SRD 4 AD-B

Width: 6,2 mm


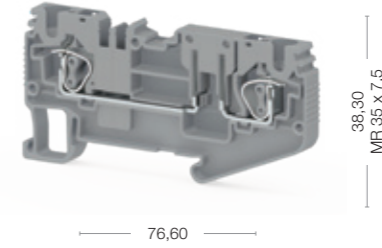



Cat No:

- 311 889
- 311 880

## **new** SRD 4 AK





Width: 6,2 mm




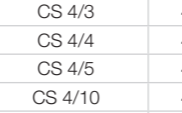




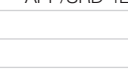

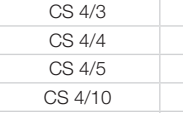
Cat No:

- 311 899
- 311 890



Electrical Ratings	Voltage, V ~	Current, A	Cross-Section
IEC (EN 60947-7-1/EN 60947-7-2)	500	20	4 mm <sup>2</sup>
UL			
VDE (IEC 60947-7-1)			
CSA			
ATEX			
Connection Data			
Conductor cross section solid (min.-max.)	0,08 -6 mm <sup>2</sup>		
Conductor cross section stranded (min.-max.)	0,14 - 4 mm <sup>2</sup>		
2 conductors with same cross section, stranded, TWIN ferrules with plastic sleeve	1 mm <sup>2</sup>		
AWG Conductor	28-10		
Insulation Stripping Length (min.-max.)	8-10		
Screwdriver	KT3 (0,6x3,5)		
Technical Data For Diode			
Diode Reverse Voltage	1000V		
Diode Current	1 A		
Diod	1 N 4007		
End Plate	<b>Type</b>	<b>Cat.No.</b>	<b>Qty.</b>
	NPP/SRD 4E	451 199	50
Partition Plate	<b>Type</b>	<b>Cat.No.</b>	<b>Qty.</b>
	APP/SRD 4E	464 129	50
Test Plug	<b>Type</b>	<b>Cat.No.</b>	<b>Qty.</b>
	TF Ø2	493 020	5
Cross Connection	<b>Type</b>	<b>Cat.No.</b>	<b>Qty.</b>
	CS 4/2	470 112	25
	CS 4/3	470 113	20
	CS 4/4	470 114	15
	CS 4/5	470 115	10
	CS 4/10	470 119	5
	CS 4/20	470 180	10
Technical Data			
Rated Impulse Voltage / Pollution severity	8/3		
Insulation material group / Gauge pin code according to IEC 60947-1	1/A3		
Protection class / Protection conductor type	IP20/NA		
Marking Tags (Dekafix)			
See pages 326-333 for a list of Dekafix	D_NS 6,2x6, SLF-P1 W		
Package Quantity	50		

Electrical Ratings	Voltage, V ~	Current, A	Cross-Section
IEC (EN 60947-7-1/EN 60947-7-2)	500	1	4 mm <sup>2</sup>
UL			
VDE (IEC 60947-7-1)			
CSA			
ATEX			
Connection Data			
Conductor cross section solid (min.-max.)	0,08 -6 mm <sup>2</sup>		
Conductor cross section stranded (min.-max.)	0,14 - 4 mm <sup>2</sup>		
2 conductors with same cross section, stranded, TWIN ferrules with plastic sleeve	1 mm <sup>2</sup>		
AWG Conductor	28-10		
Insulation Stripping Length (min.-max.)	8-10		
Screwdriver	KT3 (0,6x3,5)		
Technical Data For Diode			
Diode Reverse Voltage	1000V		
Diode Current	1 A		
Diod	1 N 4007		
End Plate	<b>Type</b>	<b>Cat.No.</b>	<b>Qty.</b>
	NPP/SRD 4E	451 199	50
Partition Plate	<b>Type</b>	<b>Cat.No.</b>	<b>Qty.</b>
	APP/SRD 4E	464 129	50
Test Plug	<b>Type</b>	<b>Cat.No.</b>	<b>Qty.</b>
	TF Ø2	493 020	5
Cross Connection	<b>Type</b>	<b>Cat.No.</b>	<b>Qty.</b>
	CS 4/2	470 112	25
	CS 4/3	470 113	20
	CS 4/4	470 114	15
	CS 4/5	470 115	10
	CS 4/10	470 119	5
	CS 4/20	470 180	10
Technical Data			
Rated Impulse Voltage / Pollution severity	8/3		
Insulation material group / Gauge pin code according to IEC 60947-1	1/A3		
Protection class / Protection conductor type	IP20/NA		
Marking Tags (Dekafix)			
See pages 326-333 for a list of Dekafix	D_NS 6,2x6, SLF-P1 W		
Package Quantity	50		

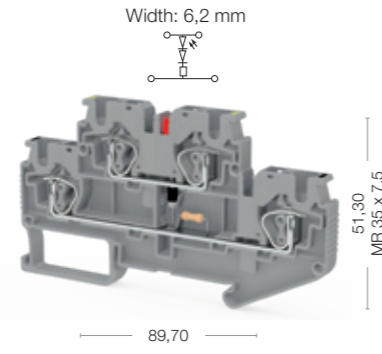
Electrical Ratings	Voltage, V ~	Current, A	Cross-Section
IEC (EN 60947-7-1/EN 60947-7-2)	500	1	4 mm <sup>2</sup>
UL			
VDE (IEC 60947-7-1)			
CSA			
ATEX			
Connection Data			
Conductor cross section solid (min.-max.)	0,08 -6 mm <sup>2</sup>		
Conductor cross section stranded (min.-max.)	0,14 - 4 mm <sup>2</sup>		
2 conductors with same cross section, stranded, TWIN ferrules with plastic sleeve	1 mm <sup>2</sup>		
AWG Conductor	28-10		
Insulation Stripping Length (min.-max.)	8-10		
Screwdriver	KT3 (0,6x3,5)		
Technical Data For Diode			
Diode Reverse Voltage	1000V		
Diode Current	1 A		
Diod	1 N 4007		
End Plate	<b>Type</b>	<b>Cat.No.</b>	<b>Qty.</b>
	NPP/SRD 4E	451 199	50
Partition Plate	<b>Type</b>	<b>Cat.No.</b>	<b>Qty.</b>
	APP/SRD 4E	464 129	50
Test Plug	<b>Type</b>	<b>Cat.No.</b>	<b>Qty.</b>
	TF Ø2	493 020	5
Cross Connection	<b>Type</b>	<b>Cat.No.</b>	<b>Qty.</b>
	CS 4/2	470 112	25
	CS 4/3	470 113	20
	CS 4/4	470 114	15
	CS 4/5	470 115	10
	CS 4/10	470 119	5
	CS 4/20	470 180	10
Technical Data			
Rated Impulse Voltage / Pollution severity	8/3		
Insulation material group / Gauge pin code according to IEC 60947-1	1/A3		
Protection class / Protection conductor type	IP20/NA		
Marking Tags (Dekafix)			
See pages 326-333 for a list of Dekafix	D_NS 6,2x6, SLF-P1 W		
Package Quantity	50		



# SRD 4-2F



## SRD 4-2FLD-24VAC

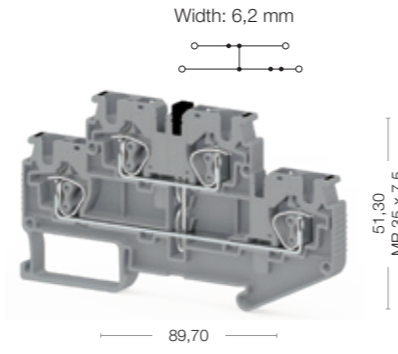


Cat No:

- 311 959
- 311 950



## SRD 4-2FK

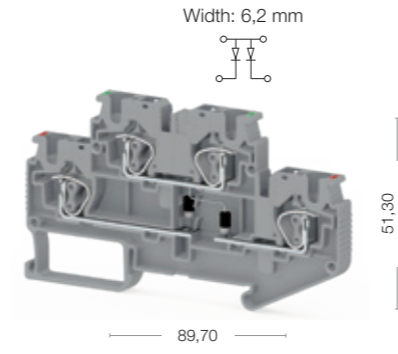


Cat No:

- 312 069
- 312 060



## SRD 4-F2D-A

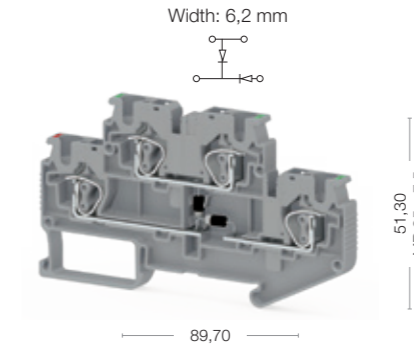


Cat No:

- 312 029
- 312 020



## SRD 4-F2D-B



Cat No:

- 312 039
- 312 030



Electrical Ratings	IEC (EN 60947-7-1/EN 60947-7-2)	UL	VDE (IEC 60947-7-1)	CSA	ATEX																					
Connection Data	Conductor cross section solid (min.-max.) 0,08 -6 mm <sup>2</sup> Conductor cross section stranded (min.-max.) 0,14 - 4 mm <sup>2</sup> 2 conductors with same cross section, stranded, TWIN ferrules with plastic sleeve 1 mm <sup>2</sup> AWG Conductor 28-10 Insulation Stripping Length (min.-max.) 8-10 Screwdriver KT3 (0,6x3,5)																									
Technical Data For Diode	Diode Reverse Voltage Diode Current Diode																									
End Plate	<table border="1"> <thead> <tr> <th>Type</th> <th>Cat.No.</th> <th>Qty.</th> </tr> </thead> <tbody> <tr> <td>NPP/SRD 4_2F</td> <td>451 219</td> <td>50</td> </tr> </tbody> </table>					Type	Cat.No.	Qty.	NPP/SRD 4_2F	451 219	50															
Type	Cat.No.	Qty.																								
NPP/SRD 4_2F	451 219	50																								
Partition Plate	<table border="1"> <thead> <tr> <th>Type</th> <th>Cat.No.</th> <th>Qty.</th> </tr> </thead> <tbody> <tr> <td>APP/SRD 4_2F</td> <td>464 159</td> <td>50</td> </tr> </tbody> </table>					Type	Cat.No.	Qty.	APP/SRD 4_2F	464 159	50															
Type	Cat.No.	Qty.																								
APP/SRD 4_2F	464 159	50																								
Test Plug	<table border="1"> <thead> <tr> <th>Type</th> <th>Cat.No.</th> <th>Qty.</th> </tr> </thead> <tbody> <tr> <td>TF Ø2</td> <td>493 020</td> <td>5</td> </tr> </tbody> </table>					Type	Cat.No.	Qty.	TF Ø2	493 020	5															
Type	Cat.No.	Qty.																								
TF Ø2	493 020	5																								
Cross Connection	<table border="1"> <thead> <tr> <th>Type</th> <th>Cat.No.</th> <th>Qty.</th> </tr> </thead> <tbody> <tr><td>CS 4/2</td><td>470 112</td><td>25</td></tr> <tr><td>CS 4/3</td><td>470 113</td><td>20</td></tr> <tr><td>CS 4/4</td><td>470 114</td><td>15</td></tr> <tr><td>CS 4/5</td><td>470 115</td><td>10</td></tr> <tr><td>CS 4/10</td><td>470 119</td><td>5</td></tr> <tr><td>CS 4/20</td><td>470 180</td><td>10</td></tr> </tbody> </table>					Type	Cat.No.	Qty.	CS 4/2	470 112	25	CS 4/3	470 113	20	CS 4/4	470 114	15	CS 4/5	470 115	10	CS 4/10	470 119	5	CS 4/20	470 180	10
Type	Cat.No.	Qty.																								
CS 4/2	470 112	25																								
CS 4/3	470 113	20																								
CS 4/4	470 114	15																								
CS 4/5	470 115	10																								
CS 4/10	470 119	5																								
CS 4/20	470 180	10																								
Technical Data	Rated Impulse Voltage / Pollution severity 8/3 Insulation material group / Gauge pin code according to IEC 60947-1 1/A3 Protection class / Protection conductor type IP20/NA Marking Tags (Dekafix) See pages 326-333 for a list of Dekafix See pages 326-333 for a list of Dekafix																									
Package Quantity	50																									

Voltage, V ~	24
Current, A	32
Cross-Section	4 mm <sup>2</sup>
Voltage, V ~	500
Current, A	32
Cross-Section	4 mm <sup>2</sup>

Voltage, V ~	500
Current, A	1
Cross-Section	4 mm <sup>2</sup>
The max. current is determined by the diode. Installed: Diode 1N 4007, reverse voltage: 1300 V, maximum continuous current: 0.5 A.	
Voltage, V ~	500
Current, A	1
Cross-Section	4 mm <sup>2</sup>
Voltage, V ~	500
Current, A	1
Cross-Section	4 mm <sup>2</sup>
The max. current is determined by the diode. Installed: Diode 1N 4007, reverse voltage: 1300 V, maximum continuous current: 0.5 A.	

Voltage, V ~	500
Current, A	1
Cross-Section	4 mm <sup>2</sup>
The max. current is determined by the diode. Installed: Diode 1N 4007, reverse voltage: 1300 V, maximum continuous current: 0.5 A.	
Voltage, V ~	500
Current, A	1
Cross-Section	4 mm <sup>2</sup>
Voltage, V ~	500
Current, A	1
Cross-Section	4 mm <sup>2</sup>
The max. current is determined by the diode. Installed: Diode 1N 4007, reverse voltage: 1300 V, maximum continuous current: 0.5 A.	

Voltage, V ~	500
Current, A	1
Cross-Section	4 mm <sup>2</sup>
The max. current is determined by the diode. Installed: Diode 1N 4007, reverse voltage: 1300 V, maximum continuous current: 0.5 A.	
Voltage, V ~	500
Current, A	1
Cross-Section	4 mm <sup>2</sup>
Voltage, V ~	500
Current, A	1
Cross-Section	4 mm <sup>2</sup>
The max. current is determined by the diode. Installed: Diode 1N 4007, reverse voltage: 1300 V, maximum continuous current: 0.5 A.	

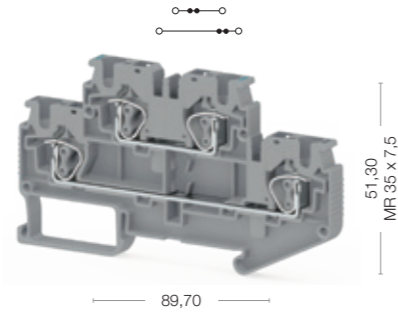
Voltage, V ~	500
Current, A	1
Cross-Section	4 mm <sup>2</sup>
The max. current is determined by the diode. Installed: Diode 1N 4007, reverse voltage: 1300 V, maximum continuous current: 0.5 A.	
Voltage, V ~	500
Current, A	1
Cross-Section	4 mm <sup>2</sup>
Voltage, V ~	500
Current, A	1
Cross-Section	4 mm <sup>2</sup>
The max. current is determined by the diode. Installed: Diode 1N 4007, reverse voltage: 1300 V, maximum continuous current: 0.5 A.	

SRD 2,5-2FLD-..... Ordering Data		
24VDC	Gray	311 949
	Beige	311 940
48VAC	Gray	311 979
	Beige	311 970
48VDC	Gray	311 969
	Beige	311 960
110VAC	Gray	311 999
	Beige	311 990
110VDC	Gray	311 989
	Beige	311 980
220VAC	Gray	312 019
	Beige	312 010
220VDC	Gray	312 009
	Beige	312 000

# SRD 4-2F SRD 4-FT

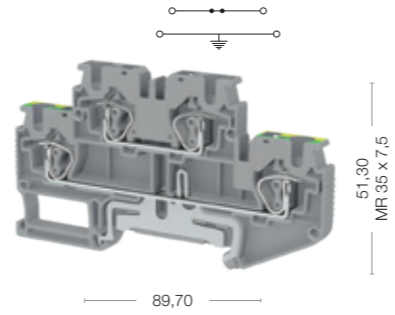
## **new** SRD 4-FN

Width: 6,2 mm



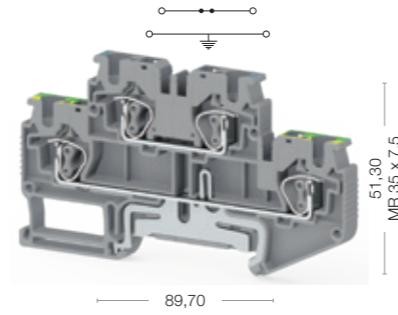
## **new** SRD 4-FT

Width: 6,2 mm



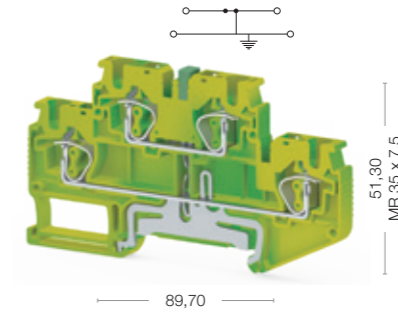
## **new** SRD 4-NT

Width: 6,2 mm



## **new** SRD 4-2T

Width: 6,2 mm



Cat No:

- 312 059
- 312 050

Cat No:

- 312 079
- 312 070

Cat No:

- 312 089
- 312 080

Cat No:

- 337 150



Electrical Ratings
IEC (EN 60947-7-1/EN 60947-7-2)
UL
VDE (IEC 60947-7-1)
CSA
ATEX

Connection Data	
Conductor cross section solid (min.-max.)	0,08 -6 mm <sup>2</sup>
Conductor cross section stranded (min.-max.)	0,14 - 4 mm <sup>2</sup>
2 conductors with same cross section, stranded, TWIN ferrules with plastic sleeve	1 mm <sup>2</sup>
AWG Conductor	28-10
Insulation Stripping Length (min.-max.)	8-10
Screwdriver	KT3 (0,6x3,5)

Technical Data For Diode
Diode Reverse Voltage
Diode Current
Diod

End Plate


Partition Plate


Test Plug


Cross Connection


Technical Data	
Rated Impulse Voltage / Pollution severity	8/3
Insulation material group / Gauge pin code according to IEC 60947-1	1/A3
Protection class / Protection conductor type	IP20/NA
Marking Tags (Dekafix)	D_NS 6,2x6, SLF-P2 W
See pages 326-333 for a list of Dekafix	

Package Quantity
50

Voltage, V ~	Current, A	Cross-Section
500	32	4 mm <sup>2</sup>

Conductor cross section solid (min.-max.)	Conductor cross section stranded (min.-max.)	2 conductors with same cross section, stranded, TWIN ferrules with plastic sleeve	AWG Conductor	Insulation Stripping Length (min.-max.)	Screwdriver
0,08 -6 mm <sup>2</sup>	0,14 - 4 mm <sup>2</sup>	1 mm <sup>2</sup>	28-10	8-10	KT3 (0,6x3,5)

Type	Cat.No.	Qty.
NPP/SRD 4_2F	451 219	50

Type	Cat.No.	Qty.
APP/SRD 4_2F	464 159	50

Type	Cat.No.	Qty.
TF Ø2	493 020	5

Type	Cat.No.	Qty.
CS 4/2	470 112	25
CS 4/3	470 113	20
CS 4/4	470 114	15
CS 4/5	470 115	10
CS 4/10	470 119	5
CS 4/20	470 180	10

Voltage, V ~	Current, A	Cross-Section
500	32	4 mm <sup>2</sup>

Conductor cross section solid (min.-max.)	Conductor cross section stranded (min.-max.)	2 conductors with same cross section, stranded, TWIN ferrules with plastic sleeve	AWG Conductor	Insulation Stripping Length (min.-max.)	Screwdriver
0,08 -6 mm <sup>2</sup>	0,14 - 4 mm <sup>2</sup>	1 mm <sup>2</sup>	28-10	8-10	KT3 (0,6x3,5)

Type	Cat.No.	Qty.
NPP/SRD 4_2F	451 219	50

Type	Cat.No.	Qty.
APP/SRD 4_2F	464 159	50

Type	Cat.No.	Qty.
TF Ø2	493 020	5

Type	Cat.No.	Qty.
CS 4/2	470 112	25
CS 4/3	470 113	20
CS 4/4	470 114	15
CS 4/5	470 115	10
CS 4/10	470 119	5
CS 4/20	470 180	10

Technical Data	
Rated Impulse Voltage / Pollution severity	8/3
Insulation material group / Gauge pin code according to IEC 60947-1	1/A3
Protection class / Protection conductor type	IP20/PE
Marking Tags (Dekafix)	D_NS 6,2x6, SLF-P2 W
See pages 326-333 for a list of Dekafix	

Package Quantity
50

Voltage, V ~	Current, A	Cross-Section
500	32	4 mm <sup>2</sup>

Conductor cross section solid (min.-max.)	Conductor cross section stranded (min.-max.)	2 conductors with same cross section, stranded, TWIN ferrules with plastic sleeve	AWG Conductor	Insulation Stripping Length (min.-max.)	Screwdriver
0,08 -6 mm <sup>2</sup>	0,14 - 4 mm <sup>2</sup>	1 mm <sup>2</sup>	28-10	8-10	KT3 (0,6x3,5)

Type	Cat.No.	Qty.
NPP/SRD 4_2F	451 219	50

Type	Cat.No.	Qty.
APP/SRD 4_2F	464 159	50

Type	Cat.No.	Qty.
TF Ø2	493 020	5

Type	Cat.No.	Qty.
CS 4/2	470 112	25
CS 4/3	470 113	20
CS 4/4	470 114	15
CS 4/5	470 115	10
CS 4/10	470 119	5
CS 4/20	470 180	10

Technical Data	
Rated Impulse Voltage / Pollution severity	8/3
Insulation material group / Gauge pin code according to IEC 60947-1	1/A3
Protection class / Protection conductor type	IP20/PE
Marking Tags (Dekafix)	D_NS 6,2x6, SLF-P2 W
See pages 326-333 for a list of Dekafix	

Package Quantity
50

Voltage, V ~	Current, A	Cross-Section
500	32	4 mm <sup>2</sup>

Conductor cross section solid (min.-max.)	Conductor cross section stranded (min.-max.)	2 conductors with same cross section, stranded, TWIN ferrules with plastic sleeve	AWG Conductor	Insulation Stripping Length (min.-max.)	Screwdriver
0,08 -6 mm <sup>2</sup>	0,14 - 4 mm <sup>2</sup>	1 mm <sup>2</sup>	28-10	8-10	KT3 (0,6x3,5)

Type	Cat.No.	Qty.
NPP/SRD 4-2F	451 212T	50

Type	Cat.No.	Qty.
APP/SRD 4-2F	464 159	50

Type	Cat.No.	Qty.
TF Ø2	493 020	5

Type	Cat.No.	Qty.
CS 4/2	470 112	25
CS 4/3	470 113	20
CS 4/4	470 114	15
CS 4/5	470 115	10
CS 4/10	470 119	5
CS 4/20	470 180	10

Technical Data	
Rated Impulse Voltage / Pollution severity	8/3
Insulation material group / Gauge pin code according to IEC 60947-1	1/A3
Protection class / Protection conductor type	IP20/PE
Marking Tags (Dekafix)	D_NS 6,2x6, SLF-P2 W
See pages 326-333 for a list of Dekafix	

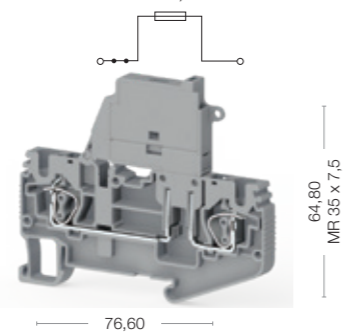
Package Quantity
50

# SRD 4 S SRD 4 SLD

**new**

## SRD 4S

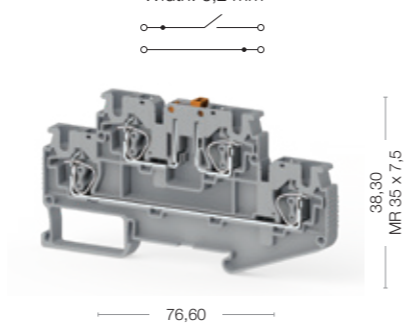
Width: 6,2 mm



**new**

## SRD 4 AF

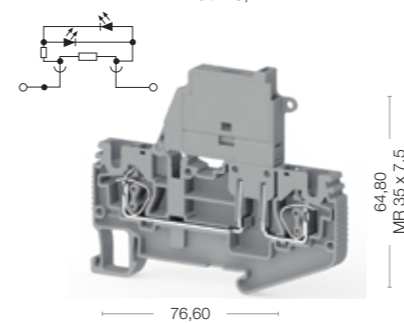
Width: 6,2 mm



**new**

## SRD 4 SLD 24V AC/DC

Width: 6,2 mm



Cat No:

- 312 119
- 312 110

Cat No:

- 312 099
- 312 090

Cat No:

- 312 139
- 312 130



Electrical Ratings
IEC (EN 60947-7-1/EN 60947-7-2)
UL
VDE (IEC 60947-7-1)
CSA
ATEX

Connection Data	
Conductor cross section solid (min.-max.)	0,08 -6 mm <sup>2</sup>
Conductor cross section stranded (min.-max.)	0,14 - 4 mm <sup>2</sup>
2 conductors with same cross section, stranded, TWIN ferrules with plastic sleeve	1 mm <sup>2</sup>
AWG Conductor	28-10
Insulation Stripping Length (min.-max.)	8-10
Screwdriver	KT3 (0,6x3,5)

Technical Data For Diode	
Diode Reverse Voltage	
Diode Current	
Diod	

End Plate


Partition Plate


Test Plug


Cross Connection


Technical Data	
Rated Impulse Voltage / Pollution severity	8/3
Insulation material group / Gauge pin code according to IEC 60947-1	1/A3
Protection class / Protection conductor type	IP20/NA
Marking Tags (Dekafix)	
See pages 326-333 for a list of Dekafix	D_NS 6,2x6, SLF-P2 W

Package Quantity
50

Voltage, V ~	Current, A	Cross-Section
500	10	4 mm <sup>2</sup>

Voltage, V ~	Current, A	Cross-Section
500	32	24 mm <sup>2</sup>

Type	Cat.No.	Qty.
NPP/SRD 4E	451 199	50

Type	Cat.No.	Qty.
APP/SRD 4E	464 129	50

Type	Cat.No.	Qty.
TF Ø2	493 020	5

Type	Cat.No.	Qty.
CS 4/2	470 112	25
CS 4/3	470 113	20
CS 4/4	470 114	15
CS 4/5	470 115	10
CS 4/10	470 119	5
CS 4/20	470 180	10

Voltage, V ~	Current, A	Cross-Section
500	32	24 mm <sup>2</sup>

Type	Cat.No.	Qty.
NPP/SRD 4AF	451 229	50

Type	Cat.No.	Qty.
APP/SRD 4AF	464 169	50

Type	Cat.No.	Qty.
TF Ø2	493 020	5

Type	Cat.No.	Qty.
CS 4/2	470 112	25
CS 4/3	470 113	20
CS 4/4	470 114	15
CS 4/5	470 115	10
CS 4/10	470 119	5
CS 4/20	470 180	10

Voltage, V ~	Current, A	Cross-Section
220	10	4 mm <sup>2</sup>

Type	Cat.No.	Qty.
NPP/SRD 4E	451 199	50

Type	Cat.No.	Qty.
APP/SRD 4E	464 129	50

Type	Cat.No.	Qty.
TF Ø2	493 020	5

Type	Cat.No.	Qty.
CS 4/2	470 112	25
CS 4/3	470 113	20
CS 4/4	470 114	15
CS 4/5	470 115	10
CS 4/10	470 119	5
CS 4/20	470 180	10

Voltage, V ~	Current, A	Cross-Section
220	10	4 mm <sup>2</sup>

Type	Cat.No.	Qty.
KD3	495 049	100
KD4	495 059	100
KD8	495 229	50

Type	Cat.No.	Qty.
NPP/SRD 4E	451 199	50

Type	Cat.No.	Qty.
APP/SRD 4E	464 129	50

Type	Cat.No.	Qty.
TF Ø2	493 020	5

Type	Cat.No.	Qty.
CS 4/2	470 112	25
CS 4/3	470 113	20
CS 4/4	470 114	15
CS 4/5	470 115	10
CS 4/10	470 119	5
CS 4/20	470 180	10

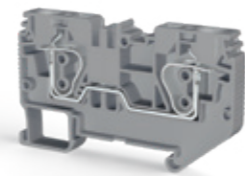
SRD 4 SLD -..... Ordering Data		
48V AC/DC	Gray	312 149
	Beige	312 140
110V AC/DC	Gray	312 159
	Beige	312 150
220V AC/DC	Gray	312 169
	Beige	312 160

# SRD 6



## SRD 6

Width: 8 mm



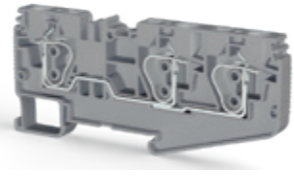
72,50

44,10  
MR 35 x 7,5



## SRD 6 E

Width: 8 mm



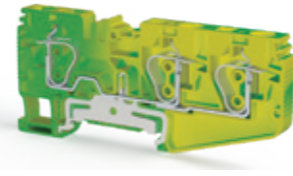
96,80

44,10  
MR 35 x 7,5



## SRD 6 ET

Width: 8 mm



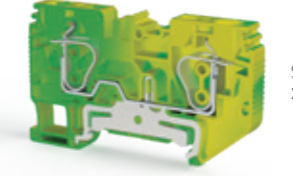
96,80

44,10  
MR 35 x 7,5



## SRD 6 T

Width: 8 mm



72,50

44,10  
MR 35 x 7,5



Cat No:  
312 199  
312 190

Cat No:  
312 209  
312 200

Cat No:  
337 220

Cat No:  
337 210

Electrical Ratings
IEC (EN 60947-7-1/EN 60947-7-2)
UL
VDE (IEC 60947-7-1)
CSA
ATEX

Connection Data	
Conductor cross section solid (min.-max.)	0,2 - 10 mm <sup>2</sup>
Conductor cross section stranded (min.-max.)	0,2 - 6 mm <sup>2</sup>
2 conductors with same cross section, stranded, TWIN ferrules with plastic sleeve	1,5 mm <sup>2</sup>
AWG Conductor	24-8
Insulation Stripping Length (min.-max.)	10-12
Screwdriver	KTD 3 (0,6 x Ø3,5)

End Block			
	<b>Type</b>	<b>Cat.No.</b>	<b>Qty.</b>
	KD3	495 049	100
	KD4	495 059	100
	KD7	495 210	50
	KD8	495 229	50

End Plate			
	<b>Type</b>	<b>Cat.No.</b>	<b>Qty.</b>
	NPP/SRD 6	451 249	50

Partition Plate			
	<b>Type</b>	<b>Cat.No.</b>	<b>Qty.</b>
	APP/SRD 6	464 179	50

Test Plug			
	<b>Type</b>	<b>Cat.No.</b>	<b>Qty.</b>
	TF Ø2,3	493 023	5

Cross Connection			
	<b>Type</b>	<b>Cat.No.</b>	<b>Qty.</b>
	CS 6/2	470 122	25
	CS 6/3	470 123	20
	CS 6/4	470 124	15
	CS 6/5	470 125	10
	CS 6/10	470 129	5

Technical Data	
Rated Impulse Voltage / Pollution severity	8/3
Insulation material group / Gauge pin code according to IEC 60947-1	1/A5
Protection class / Protection conductor type	IP20/NA
Marking Tags (Dekafix)	
See pages 326-333 for a list of Dekafix	D_NS 8x6, SLF-P1 W

Package Quantity
50

Voltage, V ~	Current, A	Cross-Section
1000	41	6 mm <sup>2</sup>

Conductor cross section solid (min.-max.)	0,2 - 10 mm <sup>2</sup>
Conductor cross section stranded (min.-max.)	0,2 - 6 mm <sup>2</sup>
2 conductors with same cross section, stranded, TWIN ferrules with plastic sleeve	1,5 mm <sup>2</sup>
AWG Conductor	24-8
Insulation Stripping Length (min.-max.)	10-12
Screwdriver	KTD 3 (0,6 x Ø3,5)

Type	Cat.No.	Qty.
KD3	495 049	100
KD4	495 059	100
KD7	495 210	50
KD8	495 229	50

Type	Cat.No.	Qty.
NPP/SRD 6	451 249	50

Type	Cat.No.	Qty.
APP/SRD 6	464 179	50

Type	Cat.No.	Qty.
TF Ø2,3	493 023	5

Type	Cat.No.	Qty.
CS 6/2	470 122	25
CS 6/3	470 123	20
CS 6/4	470 124	15
CS 6/5	470 125	10
CS 6/10	470 129	5

Rated Impulse Voltage / Pollution severity	8/3
Insulation material group / Gauge pin code according to IEC 60947-1	1/A5
Protection class / Protection conductor type	IP20/NA
Marking Tags (Dekafix)	D_NS 8x6, SLF-P1 W

50
----

Voltage, V ~	Current, A	Cross-Section
1000	41	6 mm <sup>2</sup>

Conductor cross section solid (min.-max.)	0,2 - 10 mm <sup>2</sup>
Conductor cross section stranded (min.-max.)	0,2 - 6 mm <sup>2</sup>
2 conductors with same cross section, stranded, TWIN ferrules with plastic sleeve	1,5 mm <sup>2</sup>
AWG Conductor	24-8
Insulation Stripping Length (min.-max.)	10-12
Screwdriver	KTD 3 (0,6 x Ø3,5)

Type	Cat.No.	Qty.
KD3	495 049	100
KD4	495 059	100
KD7	495 210	50
KD8	495 229	50

Type	Cat.No.	Qty.
NPP/SRD 6 E	451 259	50

Type	Cat.No.	Qty.
APP/SRD 6 E	464 189	50

Type	Cat.No.	Qty.
TF Ø2,3	493 023	5

Type	Cat.No.	Qty.
CS 6/2	470 122	25
CS 6/3	470 123	20
CS 6/4	470 124	15
CS 6/5	470 125	10
CS 6/10	470 129	5

Rated Impulse Voltage / Pollution severity	8/3
Insulation material group / Gauge pin code according to IEC 60947-1	1/A5
Protection class / Protection conductor type	IP20/NA
Marking Tags (Dekafix)	D_NS 8x6, SLF-P1 W

50
----

Voltage, V ~	Current, A	Cross-Section
		6 mm <sup>2</sup>

Conductor cross section solid (min.-max.)	0,2 - 10 mm <sup>2</sup>
Conductor cross section stranded (min.-max.)	0,2 - 6 mm <sup>2</sup>
2 conductors with same cross section, stranded, TWIN ferrules with plastic sleeve	1,5 mm <sup>2</sup>
AWG Conductor	24-8
Insulation Stripping Length (min.-max.)	10-12
Screwdriver	KTD 3 (0,6 x Ø3,5)

Type	Cat.No.	Qty.
KD3	495 049	100
KD4	495 059	100
KD7	495 210	50
KD8	495 229	50

Type	Cat.No.	Qty.
NPP/SRD 6 E	451 252T	50

Type	Cat.No.	Qty.
APP/SRD 6 E	464 189	50

Type	Cat.No.	Qty.
TF Ø2,3	493 023	5

Type	Cat.No.	Qty.

Rated Impulse Voltage / Pollution severity	8/3
Insulation material group / Gauge pin code according to IEC 60947-1	1/A5
Protection class / Protection conductor type	IP20/NA
Marking Tags (Dekafix)	D_NS 8x6, SLF-P1 W

50
----

Voltage, V ~	Current, A	Cross-Section
		6 mm <sup>2</sup>

Conductor cross section solid (min.-max.)	0,2 - 10 mm <sup>2</sup>
Conductor cross section stranded (min.-max.)	0,2 - 6 mm <sup>2</sup>
2 conductors with same cross section, stranded, TWIN ferrules with plastic sleeve	1,5 mm <sup>2</sup>
AWG Conductor	24-8
Insulation Stripping Length (min.-max.)	10-12
Screwdriver	KTD 3 (0,6 x Ø3,5)

Type	Cat.No.	Qty.
KD3	495 049	100
KD4	495 059	100
KD7	495 210	50
KD8	495 229	50

Type	Cat.No.	Qty.
NPP/SRD 6 E	451 252T	50

Type	Cat.No.	Qty.
APP/SRD 6 E	464 189	50

Type	Cat.No.	Qty.
TF Ø2,3	493 023	5

Type	Cat.No.	Qty.

Rated Impulse Voltage / Pollution severity	8/3
Insulation material group / Gauge pin code according to IEC 60947-1	1/A5
Protection class / Protection conductor type	IP20/NA
Marking Tags (Dekafix)	D_NS 8x6, SLF-P1 W

50
----

Voltage, V ~	Current, A	Cross-Section
		6 mm <sup>2</sup>

Conductor cross section solid (min.-max.)	0,2 - 10 mm <sup>2</sup>
Conductor cross section stranded (min.-max.)	0,2 - 6 mm <sup>2</sup>
2 conductors with same cross section, stranded, TWIN ferrules with plastic sleeve	1,5 mm <sup>2</sup>
AWG Conductor	24-8
Insulation Stripping Length (min.-max.)	10-12
Screwdriver	KTD 3 (0,6 x Ø3,5)

Type	Cat.No.	Qty.
KD3	495 049	100
KD4	495 059	100
KD7	495 210	50
KD8	495 229	50

Type	Cat.No.	Qty.
NPP/SRD 6	451 252T	50

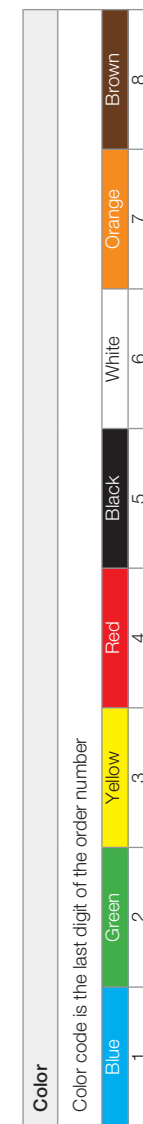
Type	Cat.No.	Qty.
APP/SRD 6	464 179	50

Type	Cat.No.	Qty.
TF Ø2,3	493 023	5

Type	Cat.No.	Qty.

Rated Impulse Voltage / Pollution severity	8/3
Insulation material group / Gauge pin code according to IEC 60947-1	1/A5
Protection class / Protection conductor type	IP20/NA
Marking Tags (Dekafix)	D_NS 8x6, SLF-P1 W

50
----



# SRD 10

**new**

## SRD 10

Width: 10 mm



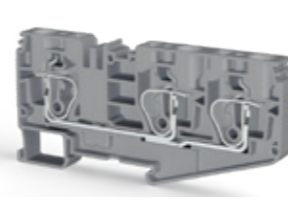
49,60  
MR 35 x 7,5

77,00

**new**

## SRD 10 E

Width: 10 mm



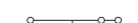
49,60  
MR 35 x 7,5

103,30

**new**

## SRD 10 ET

Width: 10 mm



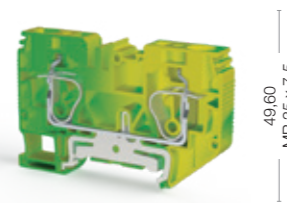
49,60  
MR 35 x 7,5

103,30

**new**

## SRD 10 T

Width: 10 mm



49,60  
MR 35 x 7,5

77,00

Cat No:

- 312 219
- 312 210

Cat No:

- 312 229
- 312 220

Cat No:

- 337 240

Cat No:

- 337 230



Electrical Ratings																			
IEC (EN 60947-7-1/EN 60947-7-2)																			
UL																			
VDE (IEC 60947-7-1)																			
CSA																			
ATEX																			
Connection Data																			
Conductor cross section solid (min.-max.)	0,2 - 16 mm <sup>2</sup>																		
Conductor cross section stranded (min.-max.)	0,2 - 10 mm <sup>2</sup>																		
2 conductors with same cross section, stranded, TWIN ferrules with plastic sleeve	2,5 mm <sup>2</sup>																		
AWG Conductor	24-6																		
Insulation Stripping Length (min.-max.)	16-18																		
Screwdriver	KTD 4 (0,8 x Ø4,0)																		
End Block																			
	<table border="1"> <thead> <tr> <th>Type</th> <th>Cat.No.</th> <th>Qty.</th> </tr> </thead> <tbody> <tr> <td>KD3</td> <td>495 049</td> <td>100</td> </tr> <tr> <td>KD4</td> <td>495 059</td> <td>100</td> </tr> <tr> <td>KD7</td> <td>495 210</td> <td>50</td> </tr> <tr> <td>KD8</td> <td>495 229</td> <td>50</td> </tr> </tbody> </table>	Type	Cat.No.	Qty.	KD3	495 049	100	KD4	495 059	100	KD7	495 210	50	KD8	495 229	50			
Type	Cat.No.	Qty.																	
KD3	495 049	100																	
KD4	495 059	100																	
KD7	495 210	50																	
KD8	495 229	50																	
End Plate																			
	<table border="1"> <thead> <tr> <th>Type</th> <th>Cat.No.</th> <th>Qty.</th> </tr> </thead> <tbody> <tr> <td>NPP/SRD 10</td> <td>451 279</td> <td>50</td> </tr> </tbody> </table>	Type	Cat.No.	Qty.	NPP/SRD 10	451 279	50												
Type	Cat.No.	Qty.																	
NPP/SRD 10	451 279	50																	
Partition Plate																			
	<table border="1"> <thead> <tr> <th>Type</th> <th>Cat.No.</th> <th>Qty.</th> </tr> </thead> <tbody> <tr> <td>APP/SRD 10</td> <td>464 199</td> <td>50</td> </tr> </tbody> </table>	Type	Cat.No.	Qty.	APP/SRD 10	464 199	50												
Type	Cat.No.	Qty.																	
APP/SRD 10	464 199	50																	
Test Plug																			
	<table border="1"> <thead> <tr> <th>Type</th> <th>Cat.No.</th> <th>Qty.</th> </tr> </thead> <tbody> <tr> <td>TF Ø2,3</td> <td>493 023</td> <td>5</td> </tr> </tbody> </table>	Type	Cat.No.	Qty.	TF Ø2,3	493 023	5												
Type	Cat.No.	Qty.																	
TF Ø2,3	493 023	5																	
Cross Connection																			
	<table border="1"> <thead> <tr> <th>Type</th> <th>Cat.No.</th> <th>Qty.</th> </tr> </thead> <tbody> <tr> <td>CS 10/2</td> <td>470 132</td> <td>25</td> </tr> <tr> <td>CS 10/3</td> <td>470 133</td> <td>20</td> </tr> <tr> <td>CS 10/4</td> <td>470 134</td> <td>15</td> </tr> <tr> <td>CS 10/5</td> <td>470 135</td> <td>10</td> </tr> <tr> <td>CS 10/10</td> <td>470 139</td> <td>5</td> </tr> </tbody> </table>	Type	Cat.No.	Qty.	CS 10/2	470 132	25	CS 10/3	470 133	20	CS 10/4	470 134	15	CS 10/5	470 135	10	CS 10/10	470 139	5
Type	Cat.No.	Qty.																	
CS 10/2	470 132	25																	
CS 10/3	470 133	20																	
CS 10/4	470 134	15																	
CS 10/5	470 135	10																	
CS 10/10	470 139	5																	
Technical Data																			
Rated Impulse Voltage / Pollution severity	8/3																		
Insulation material group / Gauge pin code according to IEC 60947-1	1/A6																		
Protection class / Protection conductor type	IP20/NA																		
Marking Tags (Dekafix)																			
See pages 326-333 for a list of Dekafix	D_NS 10x6, SLF-P1 W																		
Package Quantity																			
	50																		

Electrical Ratings																			
Voltage, V ~	1000																		
Current, A	57																		
Cross-Section	10 mm <sup>2</sup>																		
Connection Data																			
Conductor cross section solid (min.-max.)	0,2 - 16 mm <sup>2</sup>																		
Conductor cross section stranded (min.-max.)	0,2 - 10 mm <sup>2</sup>																		
2 conductors with same cross section, stranded, TWIN ferrules with plastic sleeve	2,5 mm <sup>2</sup>																		
AWG Conductor	24-6																		
Insulation Stripping Length (min.-max.)	16-18																		
Screwdriver	KTD 4 (0,8 x Ø4,0)																		
End Block																			
	<table border="1"> <thead> <tr> <th>Type</th> <th>Cat.No.</th> <th>Qty.</th> </tr> </thead> <tbody> <tr> <td>KD3</td> <td>495 049</td> <td>100</td> </tr> <tr> <td>KD4</td> <td>495 059</td> <td>100</td> </tr> <tr> <td>KD7</td> <td>495 210</td> <td>50</td> </tr> <tr> <td>KD8</td> <td>495 229</td> <td>50</td> </tr> </tbody> </table>	Type	Cat.No.	Qty.	KD3	495 049	100	KD4	495 059	100	KD7	495 210	50	KD8	495 229	50			
Type	Cat.No.	Qty.																	
KD3	495 049	100																	
KD4	495 059	100																	
KD7	495 210	50																	
KD8	495 229	50																	
End Plate																			
	<table border="1"> <thead> <tr> <th>Type</th> <th>Cat.No.</th> <th>Qty.</th> </tr> </thead> <tbody> <tr> <td>NPP/SRD 10 E</td> <td>451 299</td> <td>50</td> </tr> </tbody> </table>	Type	Cat.No.	Qty.	NPP/SRD 10 E	451 299	50												
Type	Cat.No.	Qty.																	
NPP/SRD 10 E	451 299	50																	
Partition Plate																			
	<table border="1"> <thead> <tr> <th>Type</th> <th>Cat.No.</th> <th>Qty.</th> </tr> </thead> <tbody> <tr> <td>APP/SRD 10 E</td> <td>464 219</td> <td>50</td> </tr> </tbody> </table>	Type	Cat.No.	Qty.	APP/SRD 10 E	464 219	50												
Type	Cat.No.	Qty.																	
APP/SRD 10 E	464 219	50																	
Test Plug																			
	<table border="1"> <thead> <tr> <th>Type</th> <th>Cat.No.</th> <th>Qty.</th> </tr> </thead> <tbody> <tr> <td>TF Ø2,3</td> <td>493 023</td> <td>5</td> </tr> </tbody> </table>	Type	Cat.No.	Qty.	TF Ø2,3	493 023	5												
Type	Cat.No.	Qty.																	
TF Ø2,3	493 023	5																	
Cross Connection																			
	<table border="1"> <thead> <tr> <th>Type</th> <th>Cat.No.</th> <th>Qty.</th> </tr> </thead> <tbody> <tr> <td>CS 10/2</td> <td>470 132</td> <td>25</td> </tr> <tr> <td>CS 10/3</td> <td>470 133</td> <td>20</td> </tr> <tr> <td>CS 10/4</td> <td>470 134</td> <td>15</td> </tr> <tr> <td>CS 10/5</td> <td>470 135</td> <td>10</td> </tr> <tr> <td>CS 10/10</td> <td>470 139</td> <td>5</td> </tr> </tbody> </table>	Type	Cat.No.	Qty.	CS 10/2	470 132	25	CS 10/3	470 133	20	CS 10/4	470 134	15	CS 10/5	470 135	10	CS 10/10	470 139	5
Type	Cat.No.	Qty.																	
CS 10/2	470 132	25																	
CS 10/3	470 133	20																	
CS 10/4	470 134	15																	
CS 10/5	470 135	10																	
CS 10/10	470 139	5																	
Technical Data																			
Rated Impulse Voltage / Pollution severity	8/3																		
Insulation material group / Gauge pin code according to IEC 60947-1	1/A6																		
Protection class / Protection conductor type	IP20/NA																		
Marking Tags (Dekafix)																			
See pages 326-333 for a list of Dekafix	D_NS 10x6, SLF-P1 W																		
Package Quantity																			
	50																		

Electrical Ratings																			
Voltage, V ~	1000																		
Current, A	57																		
Cross-Section	10 mm <sup>2</sup>																		
Connection Data																			
Conductor cross section solid (min.-max.)	0,2 - 16 mm <sup>2</sup>																		
Conductor cross section stranded (min.-max.)	0,2 - 10 mm <sup>2</sup>																		
2 conductors with same cross section, stranded, TWIN ferrules with plastic sleeve	2,5 mm <sup>2</sup>																		
AWG Conductor	24-6																		
Insulation Stripping Length (min.-max.)	16-18																		
Screwdriver	KTD 4 (0,8 x Ø4,0)																		
End Block																			
	<table border="1"> <thead> <tr> <th>Type</th> <th>Cat.No.</th> <th>Qty.</th> </tr> </thead> <tbody> <tr> <td>KD3</td> <td>495 049</td> <td>100</td> </tr> <tr> <td>KD4</td> <td>495 059</td> <td>100</td> </tr> <tr> <td>KD7</td> <td>495 210</td> <td>50</td> </tr> <tr> <td>KD8</td> <td>495 229</td> <td>50</td> </tr> </tbody> </table>	Type	Cat.No.	Qty.	KD3	495 049	100	KD4	495 059	100	KD7	495 210	50	KD8	495 229	50			
Type	Cat.No.	Qty.																	
KD3	495 049	100																	
KD4	495 059	100																	
KD7	495 210	50																	
KD8	495 229	50																	
End Plate																			
	<table border="1"> <thead> <tr> <th>Type</th> <th>Cat.No.</th> <th>Qty.</th> </tr> </thead> <tbody> <tr> <td>NPP/SRD 10 E</td> <td>451 292T</td> <td>50</td> </tr> </tbody> </table>	Type	Cat.No.	Qty.	NPP/SRD 10 E	451 292T	50												
Type	Cat.No.	Qty.																	
NPP/SRD 10 E	451 292T	50																	
Partition Plate																			
	<table border="1"> <thead> <tr> <th>Type</th> <th>Cat.No.</th> <th>Qty.</th> </tr> </thead> <tbody> <tr> <td>APP/SRD 10 E</td> <td>464 219</td> <td>50</td> </tr> </tbody> </table>	Type	Cat.No.	Qty.	APP/SRD 10 E	464 219	50												
Type	Cat.No.	Qty.																	
APP/SRD 10 E	464 219	50																	
Test Plug																			
	<table border="1"> <thead> <tr> <th>Type</th> <th>Cat.No.</th> <th>Qty.</th> </tr> </thead> <tbody> <tr> <td>TF Ø2,3</td> <td>493 023</td> <td>5</td> </tr> </tbody> </table>	Type	Cat.No.	Qty.	TF Ø2,3	493 023	5												
Type	Cat.No.	Qty.																	
TF Ø2,3	493 023	5																	
Cross Connection																			
	<table border="1"> <thead> <tr> <th>Type</th> <th>Cat.No.</th> <th>Qty.</th> </tr> </thead> <tbody> <tr> <td>CS 10/2</td> <td>470 132</td> <td>25</td> </tr> <tr> <td>CS 10/3</td> <td>470 133</td> <td>20</td> </tr> <tr> <td>CS 10/4</td> <td>470 134</td> <td>15</td> </tr> <tr> <td>CS 10/5</td> <td>470 135</td> <td>10</td> </tr> <tr> <td>CS 10/10</td> <td>470 139</td> <td>5</td> </tr> </tbody> </table>	Type	Cat.No.	Qty.	CS 10/2	470 132	25	CS 10/3	470 133	20	CS 10/4	470 134	15	CS 10/5	470 135	10	CS 10/10	470 139	5
Type	Cat.No.	Qty.																	
CS 10/2	470 132	25																	
CS 10/3	470 133	20																	
CS 10/4	470 134	15																	
CS 10/5	470 135	10																	
CS 10/10	470 139	5																	
Technical Data																			
Rated Impulse Voltage / Pollution severity	8/3																		
Insulation material group / Gauge pin code according to IEC 60947-1	1/A6																		
Protection class / Protection conductor type	IP20/NA																		
Marking Tags (Dekafix)																			
See pages 326-333 for a list of Dekafix	D_NS 10x6, SLF-P1 W																		
Package Quantity																			
	50																		

Electrical Ratings																			
Voltage, V ~																			
Current, A																			
Cross-Section	10 mm <sup>2</sup>																		
Connection Data																			
Conductor cross section solid (min.-max.)	0,2 - 16 mm <sup>2</sup>																		
Conductor cross section stranded (min.-max.)	0,2 - 10 mm <sup>2</sup>																		
2 conductors with same cross section, stranded, TWIN ferrules with plastic sleeve	2,5 mm <sup>2</sup>																		
AWG Conductor	24-6																		
Insulation Stripping Length (min.-max.)	16-18																		
Screwdriver	KTD 4 (0,8 x Ø4,0)																		
End Block																			
	<table border="1"> <thead> <tr> <th>Type</th> <th>Cat.No.</th> <th>Qty.</th> </tr> </thead> <tbody> <tr> <td>KD3</td> <td>495 049</td> <td>100</td> </tr> <tr> <td>KD4</td> <td>495 059</td> <td>100</td> </tr> <tr> <td>KD7</td> <td>495 210</td> <td>50</td> </tr> <tr> <td>KD8</td> <td>495 229</td> <td>50</td> </tr> </tbody> </table>	Type	Cat.No.	Qty.	KD3	495 049	100	KD4	495 059	100	KD7	495 210	50	KD8	495 229	50			
Type	Cat.No.	Qty.																	
KD3	495 049	100																	
KD4	495 059	100																	
KD7	495 210	50																	
KD8	495 229	50																	
End Plate																			
	<table border="1"> <thead> <tr> <th>Type</th> <th>Cat.No.</th> <th>Qty.</th> </tr> </thead> <tbody> <tr> <td>NPP/SRD 10 E</td> <td>451 292T</td> <td>50</td> </tr> </tbody> </table>	Type	Cat.No.	Qty.	NPP/SRD 10 E	451 292T	50												
Type	Cat.No.	Qty.																	
NPP/SRD 10 E	451 292T	50																	
Partition Plate																			
	<table border="1"> <thead> <tr> <th>Type</th> <th>Cat.No.</th> <th>Qty.</th> </tr> </thead> <tbody> <tr> <td>APP/SRD 10 E</td> <td>464 219</td> <td>50</td> </tr> </tbody> </table>	Type	Cat.No.	Qty.	APP/SRD 10 E	464 219	50												
Type	Cat.No.	Qty.																	
APP/SRD 10 E	464 219	50																	
Test Plug																			
	<table border="1"> <thead> <tr> <th>Type</th> <th>Cat.No.</th> <th>Qty.</th> </tr> </thead> <tbody> <tr> <td>TF Ø2,3</td> <td>493 023</td> <td>5</td> </tr> </tbody> </table>	Type	Cat.No.	Qty.	TF Ø2,3	493 023	5												
Type	Cat.No.	Qty.																	
TF Ø2,3	493 023	5																	
Cross Connection																			
	<table border="1"> <thead> <tr> <th>Type</th> <th>Cat.No.</th> <th>Qty.</th> </tr> </thead> <tbody> <tr> <td>CS 10/2</td> <td>470 132</td> <td>25</td> </tr> <tr> <td>CS 10/3</td> <td>470 133</td> <td>20</td> </tr> <tr> <td>CS 10/4</td> <td>470 134</td> <td>15</td> </tr> <tr> <td>CS 10/5</td> <td>470 135</td> <td>10</td> </tr> <tr> <td>CS 10/10</td> <td>470 139</td> <td>5</td> </tr> </tbody> </table>	Type	Cat.No.	Qty.	CS 10/2	470 132	25	CS 10/3	470 133	20	CS 10/4	470 134	15	CS 10/5	470 135	10	CS 10/10	470 139	5
Type	Cat.No.	Qty.																	
CS 10/2	470 132	25																	
CS 10/3	470 133	20																	
CS 10/4	470 134	15																	
CS 10/5	470 135	10																	
CS 10/10	470 139	5																	
Technical Data																			
Rated Impulse Voltage / Pollution severity	8/3																		
Insulation material group / Gauge pin code according to IEC 60947-1	1/A6																		
Protection class / Protection conductor type	IP20/NA																		
Marking Tags (Dekafix)																			
See pages 326-333 for a list of Dekafix	D_NS 10x6, SLF-P1 W																		
Package Quantity																			
	50																		

Electrical Ratings																			
Voltage, V ~																			
Current, A																			
Cross-Section	10 mm <sup>2</sup>																		
Connection Data																			
Conductor cross section solid (min.-max.)	0,2 - 16 mm <sup>2</sup>																		
Conductor cross section stranded (min.-max.)	0,2 - 10 mm <sup>2</sup>																		
2 conductors with same cross section, stranded, TWIN ferrules with plastic sleeve	2,5 mm <sup>2</sup>																		
AWG Conductor	24-6																		
Insulation Stripping Length (min.-max.)	16-18																		
Screwdriver	KTD 4 (0,8 x Ø4,0)																		
End Block																			
	<table border="1"> <thead> <tr> <th>Type</th> <th>Cat.No.</th> <th>Qty.</th> </tr> </thead> <tbody> <tr> <td>KD3</td> <td>495 049</td> <td>100</td> </tr> <tr> <td>KD4</td> <td>495 059</td> <td>100</td> </tr> <tr> <td>KD7</td> <td>495 210</td> <td>50</td> </tr> <tr> <td>KD8</td> <td>495 229</td> <td>50</td> </tr> </tbody> </table>	Type	Cat.No.	Qty.	KD3	495 049	100	KD4	495 059	100	KD7	495 210	50	KD8	495 229	50			
Type	Cat.No.	Qty.																	
KD3	495 049	100																	
KD4	495 059	100																	
KD7	495 210	50																	
KD8	495 229	50																	
End Plate																			
	<table border="1"> <thead> <tr> <th>Type</th> <th>Cat.No.</th> <th>Qty.</th> </tr> </thead> <tbody> <tr> <td>NPP/SRD 10 E</td> <td>451 292T</td> <td>50</td> </tr> </tbody> </table>	Type	Cat.No.	Qty.	NPP/SRD 10 E	451 292T	50												
Type	Cat.No.	Qty.																	
NPP/SRD 10 E	451 292T	50																	
Partition Plate																			
	<table border="1"> <thead> <tr> <th>Type</th> <th>Cat.No.</th> <th>Qty.</th> </tr> </thead> <tbody> <tr> <td>APP/SRD 10 E</td> <td>464 219</td> <td>50</td> </tr> </tbody> </table>	Type	Cat.No.	Qty.	APP/SRD 10 E	464 219	50												
Type	Cat.No.	Qty.																	
APP/SRD 10 E	464 219	50																	
Test Plug																			
	<table border="1"> <thead> <tr> <th>Type</th> <th>Cat.No.</th> <th>Qty.</th> </tr> </thead> <tbody> <tr> <td>TF Ø2,3</td> <td>493 023</td> <td>5</td> </tr> </tbody> </table>	Type	Cat.No.	Qty.	TF Ø2,3	493 023	5												
Type	Cat.No.	Qty.																	
TF Ø2,3	493 023	5																	
Cross Connection																			
	<table border="1"> <thead> <tr> <th>Type</th> <th>Cat.No.</th> <th>Qty.</th> </tr> </thead> <tbody> <tr> <td>CS 10/2</td> <td>470 132</td> <td>25</td> </tr> <tr> <td>CS 10/3</td> <td>470 133</td> <td>20</td> </tr> <tr> <td>CS 10/4</td> <td>470 134</td> <td>15</td> </tr> <tr> <td>CS 10/5</td> <td>470 135</td> <td>10</td> </tr> <tr> <td>CS 10/10</td> <td>470 139</td> <td>5</td> </tr> </tbody> </table>	Type	Cat.No.	Qty.	CS 10/2	470 132	25	CS 10/3	470 133	20	CS 10/4	470 134	15	CS 10/5	470 135	10	CS 10/10	470 139	5
Type	Cat.No.	Qty.																	
CS 10/2	470 132	25																	
CS 10/3	470 133	20																	
CS 10/4	470 134	15																	
CS 10/5	470 135	10																	
CS 10/10	470 139	5																	
Technical Data																			
Rated Impulse Voltage / Pollution severity	8/3																		
Insulation material group / Gauge pin code according to IEC 60947-1	1/A6																		
Protection class / Protection conductor type	IP20/NA																		
Marking Tags (Dekafix)																			
See pages 326-333 for a list of Dekafix	D_NS 10x6, SLF-P1 W																		
Package Quantity																			
	50																		

Electrical Ratings																			
Voltage, V ~																			
Current, A																			
Cross-Section	10 mm <sup>2</sup>																		
Connection Data																			
Conductor cross section solid (min.-max.)	0,2 - 16 mm <sup>2</sup>																		
Conductor cross section stranded (min.-max.)	0,2 - 10 mm <sup>2</sup>																		
2 conductors with same cross section, stranded, TWIN ferrules with plastic sleeve	2,5 mm <sup>2</sup>																		
AWG Conductor	24-6																		
Insulation Stripping Length (min.-max.)	16-18																		
Screwdriver	KTD 4 (0,8 x Ø4,0)																		
End Block																			
	<table border="1"> <thead> <tr> <th>Type</th> <th>Cat.No.</th> <th>Qty.</th> </tr> </thead> <tbody> <tr> <td>KD3</td> <td>495 049</td> <td>100</td> </tr> <tr> <td>KD4</td> <td>495 059</td> <td>100</td> </tr> <tr> <td>KD7</td> <td>495 210</td> <td>50</td> </tr> <tr> <td>KD8</td> <td>495 229</td> <td>50</td> </tr> </tbody> </table>	Type	Cat.No.	Qty.	KD3	495 049	100	KD4	495 059	100	KD7	495 210	50	KD8	495 229	50			
Type	Cat.No.	Qty.																	
KD3	495 049	100																	
KD4	495 059	100																	
KD7	495 210	50																	
KD8	495 229	50																	
End Plate																			
	<table border="1"> <thead> <tr> <th>Type</th> <th>Cat.No.</th> <th>Qty.</th> </tr> </thead> <tbody> <tr> <td>NPP/SRD 10 E</td> <td>451 292T</td> <td>50</td> </tr> </tbody> </table>	Type	Cat.No.	Qty.	NPP/SRD 10 E	451 292T	50												
Type	Cat.No.	Qty.																	
NPP/SRD 10 E	451 292T	50																	
Partition Plate																			
	<table border="1"> <thead> <tr> <th>Type</th> <th>Cat.No.</th> <th>Qty.</th> </tr> </thead> <tbody> <tr> <td>APP/SRD 10 E</td> <td>464 219</td> <td>50</td> </tr> </tbody> </table>	Type	Cat.No.	Qty.	APP/SRD 10 E	464 219	50												
Type	Cat.No.	Qty.																	
APP/SRD 10 E	464 219	50																	
Test Plug																			
	<table border="1"> <thead> <tr> <th>Type</th> <th>Cat.No.</th> <th>Qty.</th> </tr> </thead> <tbody> <tr> <td>TF Ø2,3</td> <td>493 023</td> <td>5</td> </tr> </tbody> </table>	Type	Cat.No.	Qty.	TF Ø2,3	493 023	5												
Type	Cat.No.	Qty.																	
TF Ø2,3	493 023	5																	
Cross Connection																			
	<table border="1"> <thead> <tr> <th>Type</th> <th>Cat.No.</th> <th>Qty.</th> </tr> </thead> <tbody> <tr> <td>CS 10/2</td> <td>470 132</td> <td>25</td> </tr> <tr> <td>CS 10/3</td> <td>470 133</td> <td>20</td> </tr> <tr> <td>CS 10/4</td> <td>470 134</td> <td>15</td> </tr> <tr> <td>CS 10/5</td> <td>470 135</td> <td>10</td> </tr> <tr> <td>CS 10/10</td> <td>470 139</td> <td>5</td> </tr> </tbody> </table>	Type	Cat.No.	Qty.	CS 10/2	470 132	25	CS 10/3	470 133	20	CS 10/4	470 134	15	CS 10/5	470 135	10	CS 10/10	470 139	5
Type	Cat.No.	Qty.																	
CS 10/2	470 132	25																	
CS 10/3	470 133	20																	
CS 10/4	470 134	15																	
CS 10/5	470 135	10																	
CS 10/10	470 139	5																	
Technical Data																			
Rated Impulse Voltage / Pollution severity	8/3																		
Insulation material group / Gauge pin code according to IEC 60947-1	1/A6																		
Protection class / Protection conductor type	IP20/NA																		
Marking Tags (Dekafix)																			
See pages 326-333 for a list of Dekafix	D_NS 10x6, SLF-P1 W																		
Package Quantity																			
	50																		

Color code is the last digit of the order number

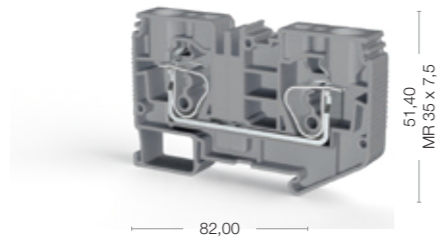
Brown	0
Orange	7
White	6
Black	5
Red	4
Yellow	3
Green	2
Blue	1



# SRD 16

**new** **SRD 16**

Width: 12 mm



51,40  
MR 35 x 7,5

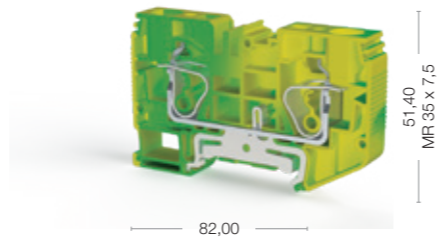
82,00

Cat No:

- 312 239
- 312 230

**new** **SRD 16 T**

Width: 12 mm







51,40  
MR 35 x 7,5

82,00

Cat No:

- 337 250



Electrical Ratings	Voltage, V ~	Current, A	Cross-Section	Voltage, V ~	Current, A	Cross-Section
IEC (EN 60947-7-1/EN 60947-7-2)	1000	76	16 mm <sup>2</sup>			16 mm <sup>2</sup>
UL						
VDE (IEC 60947-7-1)						
CSA						
ATEX						
Connection Data						
Conductor cross section solid (min.-max.)	0,2 -25 mm <sup>2</sup>			0,2 -25 mm <sup>2</sup>		
Conductor cross section stranded (min.-max.)	0,2 - 16 mm <sup>2</sup>			0,2 - 16 mm <sup>2</sup>		
2 conductors with same cross section, stranded, TWIN ferrules with plastic sleeve	2,5 mm <sup>2</sup>			2,5 mm <sup>2</sup>		
AWG Conductor	24-4			24-4		
Insulation Stripping Length (min.-max.)	17			17		
Screwdriver	KTD 5 (1,0 x Ø5,5)			KTD 5 (1,0 x Ø5,5)		
End Block	<b>Type</b>	<b>Cat.No.</b>	<b>Qty.</b>	<b>Type</b>	<b>Cat.No.</b>	<b>Qty.</b>
	KD 3	495 049	100	KD 3	495 049	100
	KD 4	495 059	100	KD 4	495 059	100
	KD 7	495 210	50	KD 7	495 210	50
	KD 8	495 229	50	KD 8	495 229	50
End Plate	<b>Type</b>	<b>Cat.No.</b>	<b>Qty.</b>	<b>Type</b>	<b>Cat.No.</b>	<b>Qty.</b>
	NPP/SRD 16	451 289	50	NPP/SRD 16T	451 282T	50
Partition Plate	<b>Type</b>	<b>Cat.No.</b>	<b>Qty.</b>	<b>Type</b>	<b>Cat.No.</b>	<b>Qty.</b>
	APP/SRD 16	464 209	50	APP/SRD 16	464 209	50
Test Plug	<b>Type</b>	<b>Cat.No.</b>	<b>Qty.</b>	<b>Type</b>	<b>Cat.No.</b>	<b>Qty.</b>
	TF Ø2,3	493 023	5	TF Ø2,3	493 023	5
Cross Connection	<b>Type</b>	<b>Cat.No.</b>	<b>Qty.</b>			
	CS 16/2	470 152	25			
Technical Data						
Rated Impulse Voltage / Pollution severity	8/3			8/3		
Insulation material group / Gauge pin code according to IEC 60947-1	1/A7			1/A7		
Protection class / Protection conductor type	IP20/NA			IP20/NA		
Marking Tags (Dekafix)						
See pages 326-333 for a list of Dekafix	D_NS 12x6, SLF-P1 W			D_NS 12x6, SLF-P1 W		
Package Quantity	50			50		

Color							
Color code is the last digit of the order number							
Blue	Green	Yellow	Red	Black	White	Orange	Brown
1	2	3	4	5	6	7	8